

SERVING THE FOOD INDUSTRY SINCE 1951

Battery Powered Rechargeable LED Table Lamps

ITEM:	48283	48505	48507
	48284	48506	48508

Battery Powered LED Table Lamps with Elegant Design and Long Lasting Performance

With a large battery capacity, these LED lamps can operate for a full work day on a single charge overnight. Touch based controls and stepless dimming ensures optimal lighting for every occasion.



48283-BK



48506-BR



48505-WH



48507-BL



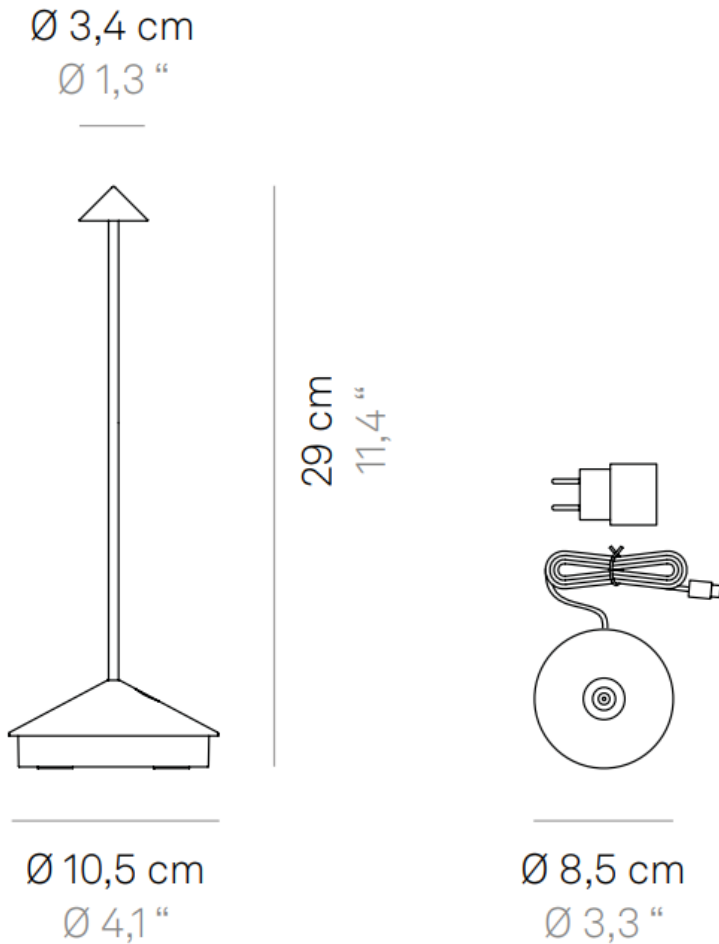
48508-BR



48284-WH



TECHNICAL DRAWING



TECHNICAL SPECIFICATION

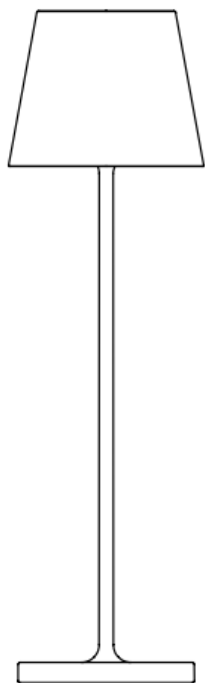
Item	48506/48283/48505
Material	Aluminum
Color Temperature	3000K/6000K
Battery	3.7V/1200mA
Rated Power	2.2W
Estimated Charging Time	6 Hr
Operational Time (Full Charge)	10-13 Hr
Average	1
Electrical	220-240/50-60Hz/1ph
Plug Type	USB
Net Dimensions (DiaxH)	5.9"x 11.4" (150 x 290 mm)
Gross Dimensions	4.5."x4.5"x7.9" (115 x 115 x 200 mm)
Net Weight	1 lb. (450 g)
Gross Weight	1.2 lb. (525 g)

BMAD System (Low maintenance high performance). Dimensions rounded up to the nearest inch or millimeter. Specifications subject to change without notice.

TECHNICAL DRAWING

Ø 10cm

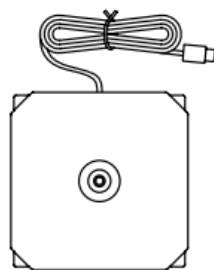
Ø 4,3"



38 cm
14,9"

10 x 10 cm

3,9 x 3,9"



9,4 x 9,4 cm

3,7 x 3,7"

TECHNICAL SPECIFICATION

Item	48284/48507/48508
Material	Aluminum
Color Temperature	3000K/6000K
Battery	5V/3600mA
Rated Power	3.5W
Estimated Charging Time	4 Hr
Operational Time (Full Charge)	10-15 Hr
Average	1
Electrical	220-240/50-60Hz/1ph
Plug Type	USB
Net Dimensions (DiaxH)	3.9"x 15" (100 x 380 mm)
Gross Dimensions	5.9" x 5.1" x 16.7" (150 x 130 x 425 mm)
Net Weight	1.6 lb. (724 g)
Gross Weight	1.9 lb. (850 g)

BMAD System (Low maintenance high performance). Dimensions rounded up to the nearest inch or millimeter. Specifications subject to change without notice.