

Oven Stand (used with LPC-19 & LPC-31 conveyor ovens)

Model LPC-S



LPC-31-G-1 Oven On LPC-31-S24 Stand
(Oven Not Included)

Short Bid Specification:

Stand shall be an LBC Bakery Equipment Model LPC-X-Y (for X, enter 19 or 31 to match the oven model. For Y, enter S24 for 24.4" stand or S18 for 18.4" stand). Stand shall be constructed out of stainless steel. Casters shall be 6" diameter swivel with foot locks on all.

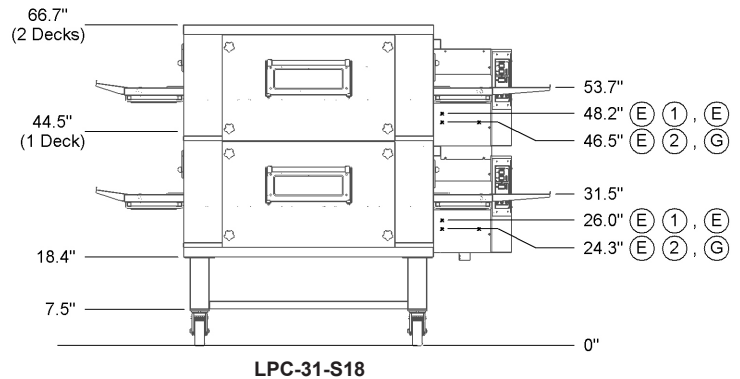
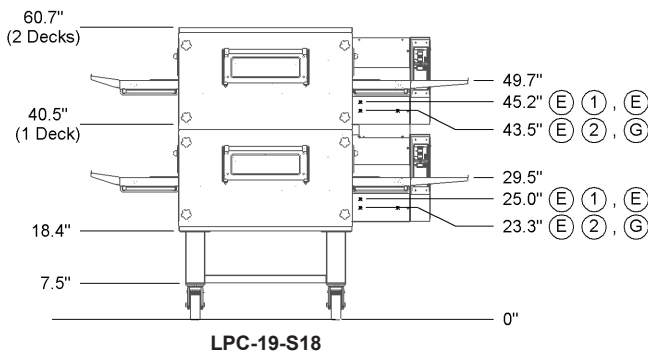
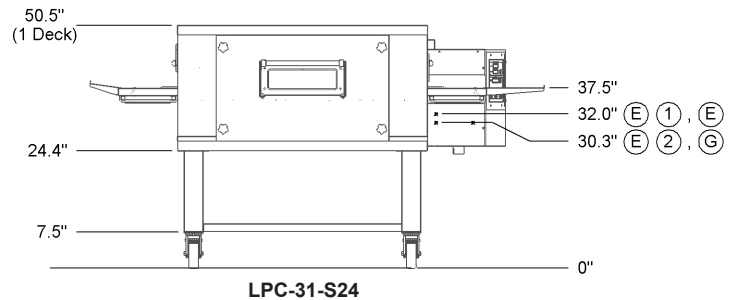
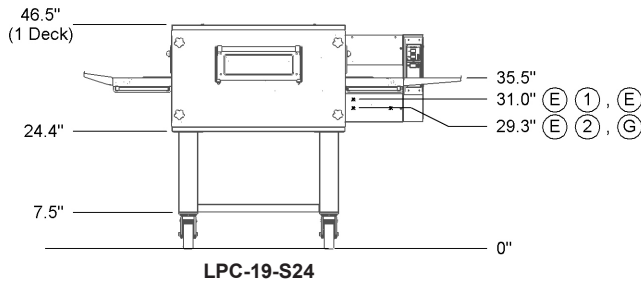
Construction Features:

- Heavy-duty stainless steel construction
- 6" swivel casters with locks
- Capacities:
 - LPC-X-S24 will support 1 deck
 - LPC-X-S18 will support up to 2 decks

Installation Requirements:

- Ships assembled and separate from oven crate(s).
- Will fit through 36" opening
- Stacking deck(s) on stand is required

Note: Optional pre-assembled 2 or 3 deck stacks are available



Standard Product Warranty:

One Year Parts and Labor (Contiguous US, Alaska, Hawaii & Canada)

Shipping Information:

Model	Actual Weight	Ship Weight	Freight Class
LPC-19-S18	130 lbs	250 lbs	70
LPC-19-S24	140 lbs	265 lbs	
LPC-31-S18	250 lbs	435 lbs	
LPC-31-S24	260 lbs	455 lbs	