



STAINLESS STEEL

CEILING OR FLOOR SUPPLIED ELECTRICAL UTILITY CHASE

(Available only for CU Series, OTS & ODS series Shelving)

Item #:	_____	Qty #:	_____
Model #:	_____		
Project #:	_____		

FEATURES:

Removable access panel conceals wires (Wires supplied others).
 Engineered to receive standard electrical connectors (Not included)
 2 1/2" deep x 12" wide chase allows ample space for electrical wires and connections.
 Chase secures to end of shelf or work table.

CONSTRUCTION:

Exposed corners TIG welded and polished to a satin finish.

MATERIAL:

16 Gauge, type "300" stainless steel.

**UCF-1
FLOOR
SUPPLIED**



**UCC-1
CEILING
SUPPLIED**

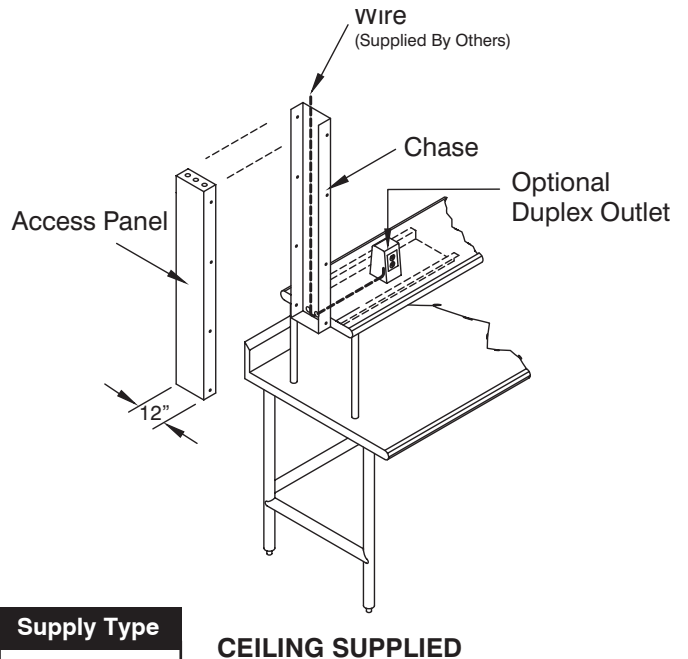
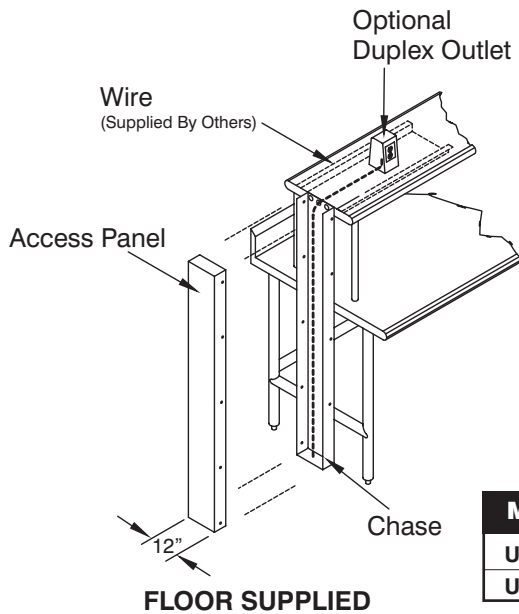


DETAILS and SPECIFICATIONS

TOL ± .500"

ALL DIMENSIONS ARE TYPICAL

**PRINT REQUIRED FOR PROPER CHASE LOCATION.
Utility Chase is FACTORY INSTALLATION Only.**



MODEL #	Supply Type
UCC-1	Ceiling
UCF-1	Floor



Customer Service Available To Assist You 1-800-645-3166 8:30 am - 7:00 pm E.S.T.

For Orders & Customer Service:
 Email: customer@advancetabco.com or Fax: 631-242-6900

For Smart Fabrication™ Quotes:
 Email: smartfab@advancetabco.com or Fax: 631-586-2933