



YOU CAN TRUST

CUTTER MIXERS

CR-4 / CR-8



STANDARD FEATURES

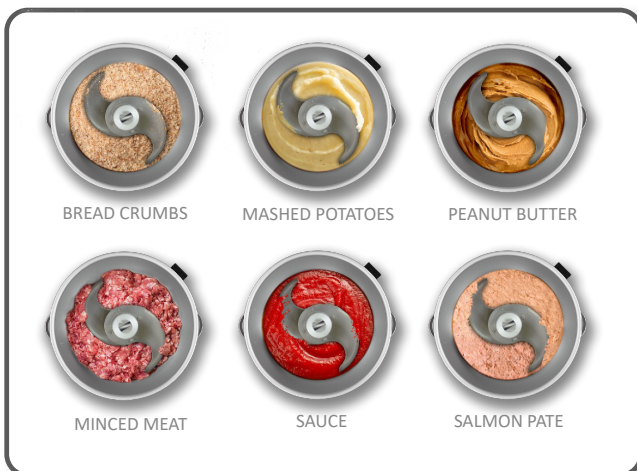
- SKYFOOD Vertical Cutter Mixers combine technology with simplicity. Excellent tool in any commercial kitchen. It cuts, chops, mixes and blends any type of product in a few seconds. Stainless steel blade is perfectly positioned inside the bowl to guarantee excellent processing results, leaving little or no unprocessed product at the bottom of the bowl.
- Indicated for preparing purees, pâtés, sauces, hummus, creams, jams, bread crumbs and vinaigrettes.
- Pulled pork and chicken can be obtained with the optional blind blade LDC-4L for model CR-4 and LDC-8L for model CR-8 (sold separately).
- Clear cover makes for an easy visualization of the product during operation. An opening in the cover allows for adding ingredients while the machine is running for that final recipe touch.
- Safety switch stops motor when cover is removed.
- Bowl and motor housing in stainless steel.
- An optional Bowl Scraper is also available. It effectively scrapes the walls of the bowl pushing those ingredients, that usually get stuck to the sides of the bowl, toward the blade for optimum results.



CR-4
VERTICAL CUTTER MIXER



CR-8
VERTICAL CUTTER MIXER



ILLUSTRATIVE PHOTO, ACTUAL PRODUCTS AND ACCESSORIES ARE SUBJECT TO CHANGE WITHOUT NOTICE.



Skyfood Equipment LLC
175 SW 7th Street, Ste 2416
Miami, FL 33130

Toll Free:
1-800-503-7534
sales@skyfood.us

www.skyfood.us



Follow us to keep up to date with the latest news and offers

/SkyfoodEquipment

/SkyfoodEquipment

/SkyfoodEquipment



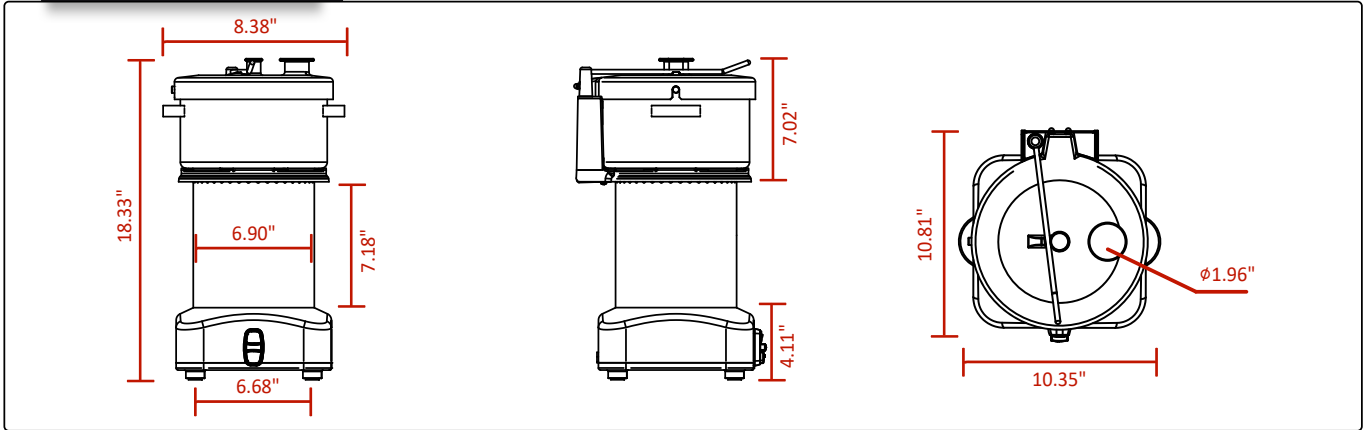
YOU CAN TRUST

CUTTER MIXERS

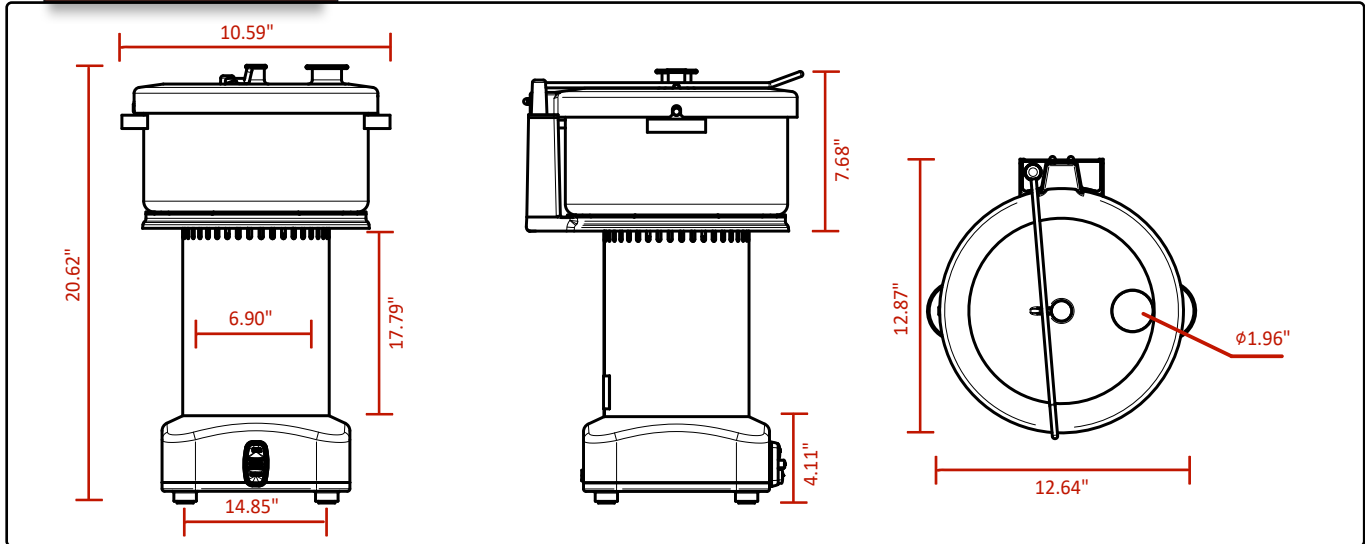
CR-4 / CR-8



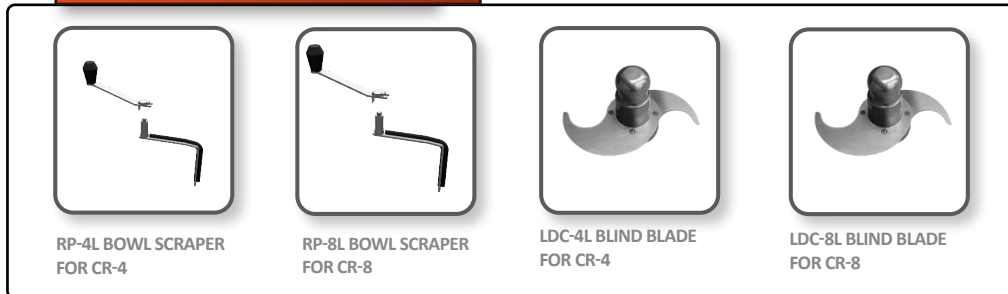
DIMENSIONS / CR-4



DIMENSIONS / CR-8



ACCESSORIES SOLD SEPARATELY



WARRANTY 01 YEAR PARTS AND LABOR VALID IN THE CONTINENTAL UNITED STATES.

MADE IN BRAZIL

PLUG NEMA 5-15P

Item	Voltage	AMPS	Power Rating	RPM	Dimensions (W x D x H)	Weight (Net x Ship)	Bowl Capacity	PLUG
CR-4	110 V	8.2	1 1/2 HP	1750	10.35" x 10.81" x 18.33"	32 lb x 42 lb	4qt	NEMA 5-15P
CR-8	110 V	11	1 1/2 HP	1750	12.64" x 12.87" x 20.62"	33 lb x 45 lb	8qt	NEMA 5-15P



Skyfood Equipment LLC
175 SW 7th Street, Ste 2416
Miami, FL 33130

Toll Free:
1-800-503-7534
sales@skyfood.us

www.skyfood.us



Follow us to keep up to date with the latest news and offers

/SkyfoodEquipment

/SkyfoodEquipment

/SkyfoodEquipment

ILLUSTRATIVE PHOTO, ACTUAL PRODUCTS AND ACCESSORIES ARE SUBJECT TO CHANGE WITHOUT NOTICE.