



ROYAL SERIES PLUMBING

TWIST WASTE DRAIN with 1 1/4" OVERFLOW OUTLET

MODEL: _____ PROJECT: _____ ITEM #: _____ QTY: _____

PRODUCT IMAGE



STANDARD FEATURES

- 1-1/4" overflow outlet, cap included
- 22-201 comes with 1 1/2" drain outlet adapter
- 22-204 drain outlet: 2" NPS Male Outer Threads, 1-1/2" Female Inner Threads. No adapter required
- Stainless steel strainer, flange & handle
- Overflow outlet accepts Overflow Head (22-500) and Overflow Elbow (22-501)

22-204 SHOWN

THIS PRODUCT DOES NOT REQUIRE LOW LEAD COMPLIANCE

SPECIFICATIONS

Model Numbers	Sink Opening	Drain Outlet	Quantity per Case
22-201	3"	2" NPS Male Outer Threads, 1-1/2" Adapter Included	12
22-204	3 1/2"	2" NPS Male Outer Threads, 1-1/2" Female Inner Threads	12



APPROVED BY:

CERTIFICATIONS:

Due to our commitment to continued product improvement, specifications are subject to change without notice.

Printed in the USA

Krowne Metal Corporation

100 Haul Rd. Wayne, NJ 07470 • Toll Free: (800) 631-0442 • Fax: (973) 872-1129
sales@krowne.com • www.krowne.com • www.facebook.com/KrowneMetal • www.twitter.com/KrowneMetal

Rev. 08/2012
No. 22-201,4

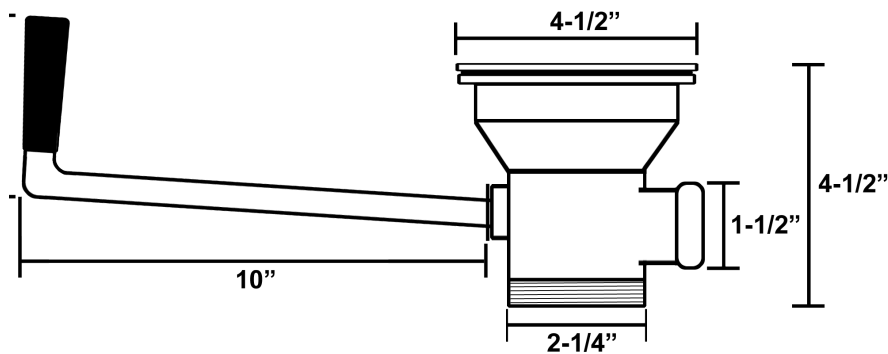


ROYAL SERIES PLUMBING

TWIST WASTE DRAIN with 1 1/4" OVERFLOW OUTLET

MODEL: _____ PROJECT: _____ ITEM #: _____ QTY: _____

DRAWING



APPROVED BY:

CERTIFICATIONS:

Due to our commitment to continued product improvement, specifications are subject to change without notice.

Printed in the USA

Krowne Metal Corporation

100 Haul Rd. Wayne, NJ 07470 • Toll Free: (800) 631-0442 • Fax: (973) 872-1129
sales@krowne.com • www.krowne.com • www.facebook.com/KrowneMetal • www.twitter.com/KrowneMetal

Rev. 08/2012
No. 22-201,4