



SERVING THE FOOD INDUSTRY SINCE 1951

PLASTIC BUSSING CARTS

Omcan's Plastic Bussing Carts are durable plastic carts with 3 shelves, 4 swivel casters (two with locks). There are 2 tray sizes available: 16" x 24.75" and 19.5" x 31". Assembly required.



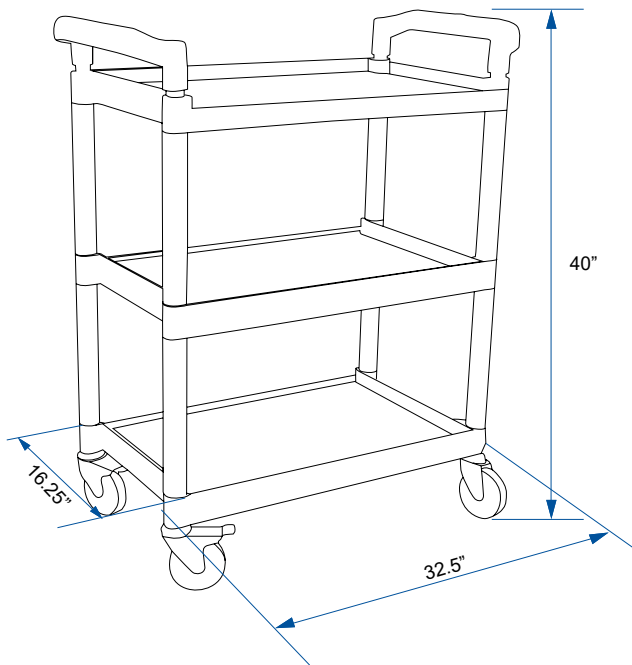
WARRANTY



Authorized Dealer

HANDLING AND STORAGE

PLASTIC BUSSING CARTS 24183 / 18306 / 43069



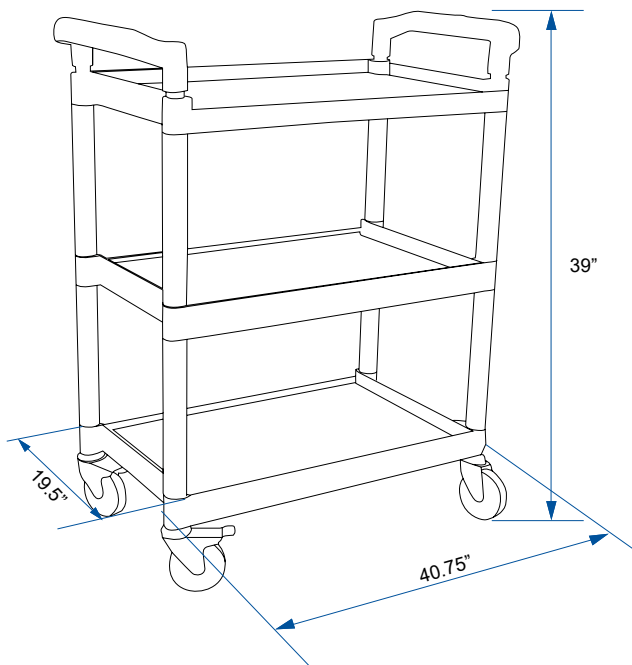
PLASTIC BUSSING CARTS WITH 16" x 24.75" TRAY SIZE

TECHNICAL SPECIFICATIONS

| ITEM | 24183 | 18306 |
|-----------------------|---|---------------|
| MATERIAL | Black, Plastic | Gray, Plastic |
| TRAY SIZE | 16" x 24.75" / 406 x 629 mm | |
| MAXIMUM LOAD CAPACITY | 165.34 lbs. / 75 kg. | |
| DIMENSIONS (DWH) | 32.5" x 16.25" x 40" 826 x 413 x 1016 mm | |
| PACKAGING DIMENSIONS | 29" x 17" x 9" 736.6 x 432 x 228.6 mm | |
| WEIGHT | 16.06 lbs. / 7.5 kg. | |
| PACKAGING WEIGHT | 19 lbs. / 8.6 kg. | |

REPLACEMENT CASTERS for items 24183 and 18306 (sold separately)

| ITEM | 43599 | 43600 |
|-------------|----------------------------------|-------------------------------|
| DESCRIPTION | Replacement caster without brake | Replacement caster with brake |



PLASTIC BUSSING CART WITH 19.5" x 31" TRAY SIZE

TECHNICAL SPECIFICATIONS

| ITEM | 43069 |
|-----------------------|---|
| MATERIAL | Black, Plastic |
| TRAY SIZE | 19.5" x 31" / 495 x 787 mm |
| MAXIMUM LOAD CAPACITY | 198.4 lbs. / 90 kg. |
| DIMENSIONS (DWH) | 40.75" x 19.5" x 39" 1035 x 495 x 991 mm |
| PACKAGING DIMENSIONS | 36" x 22" x 9.5" 914 x 559 x 241 mm |
| WEIGHT | 33.5 lbs. / 15.20 kg. |
| PACKAGING WEIGHT | 37 lbs. / 16.73 kg. |

OMCAN INC.

Telephone: 1-800-465-0234

Fax: (905) 607-0234

Email: sales@omcan.com

Website: www.omcan.com



Follow us to keep up to date with the latest news and offers



2015.E.O.E