



Model: **18-406L** Item #: _____ Date: _____
 Project: _____ Qty: _____ Approved By: _____

4" Center Deck Mount Space Saver Pre-Rinse

Royal Series



DESCRIPTION

- 4" Center Deck Mount Pre-Rinse with Add-On Faucet and 6" Spout, Polished Chrome Finish, Wall Bracket and Mounting Kit Included, 1.15 GPM Spray Head, 1.8 GPM Faucet Aerator Installed

STANDARD FEATURES

- 1/4 Turn High Performance Ceramic Cartridge Valves with Integral Check
- Heavy Duty Flanges with Eccentric Fittings Allow Alignment Adjustments for Quick Installation
- Durable Full Range Swing Spout with Double O-Ring Construction
- Lever Handles
- Wall Bracket and Mounting Kit Included
- Knife Style Spray Valve
- Stainless Steel Corrugated Hose over Radial Wrap Tubing
- E-Z Install Swivel Fitting on Hose End for Quick Installation
- Warranty: 3 Years

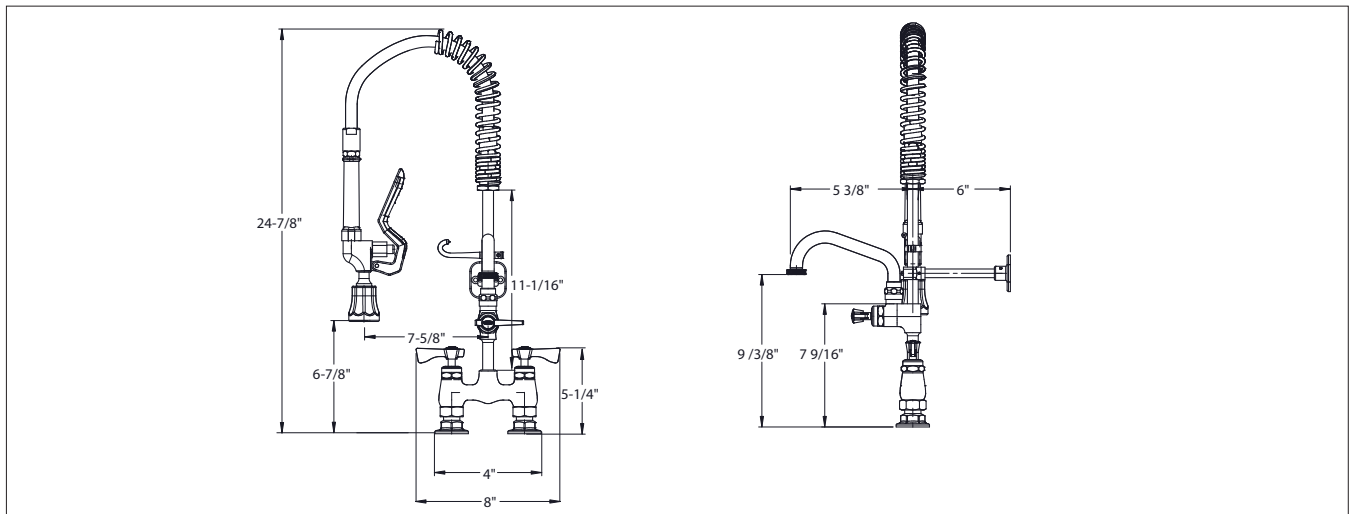
PRODUCT COMPLIANCE

- ASME A112.18.1-2011/CSA B125.1-11
- NSF-61
- NSF/ANSI 372
- Meets ANSI A117.1 (ADA)
- CEC Listed
- Massachusetts Approved



SPECIFICATIONS

Water Inlet	1/2" NPT
Temp. Range	20°F - 125°F
Rough In	7/8" Round Holes on 4" Center
Water Pressure	20 -120 PSI
Flow Rate	1.15 GPM Spray Head, 1.8 GPM Faucet Spout
Riser	3/8" NPT x 8"
Add On Faucet	6" Spout
Dimensions	24-7/8" Height with 8" Overhang
Material	Solid Brass
Finish	Polished Chrome
Weight	13 lbs.



WARNING: Plumbing connections should be made by qualified personnel who will observe all applicable plumbing, sanitary and safety codes.
 California Proposition 65 Warning