



# LED DISPLAY LIGHTING

## STOS, TOS, TBS, TSS, NSG & NSGC Food Table Shelving



Item #: \_\_\_\_\_ Qty #: \_\_\_\_\_  
 Model #: \_\_\_\_\_  
 Project #: \_\_\_\_\_



### FEATURES:

Includes Class 2 Low Voltage Power Supply-120V-277V  
 Natural Aluminum Finish  
 (Black or White Finish Available Upon Request)  
 Available for Stainless Steel Shelf Mounted or Glass Top Mounted

### CONSTRUCTION:

High Impact resistant Mounting Clips

### MATERIAL:

Aluminum Rail with Shatter-Proof Optics  
**NOTE:** Shelves Require 6" clearance on both sides to fit above LED Lighting.  
 5 amps per fixture regardless of length.  
 FACTORY INSTALLED ONLY • PRINT REQUIRED FOR PROPER LED LOCATION

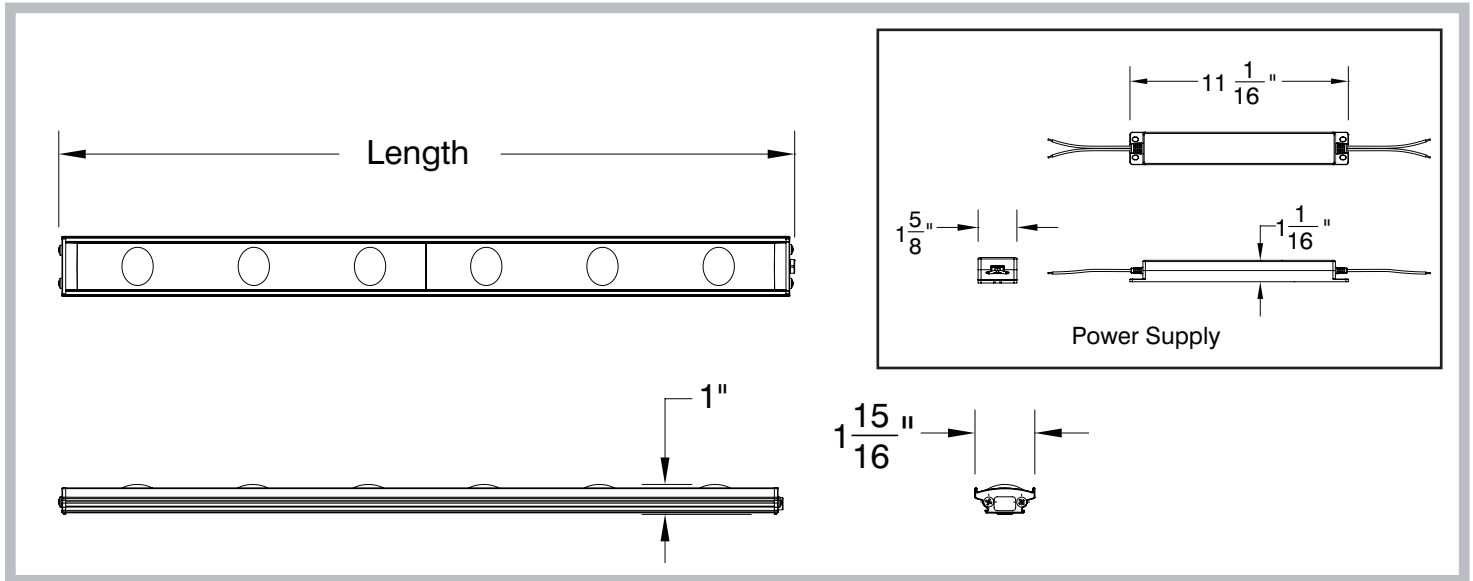
#### Stainless Steel Shelf Mounted

MODEL #	Length (L)	Wt.
LED-H-2	24"	5 lbs.
LED-H-3	36"	6 lbs.
LED-H-4	48"	7 lbs.
LED-H-5	60"	8 lbs.
LED-H-6	72"	9 lbs.

## DETAILS and SPECIFICATIONS

TOL ± .500"

ALL DIMENSIONS ARE TYPICAL



Customer Service Available To Assist You **1-800-645-3166** 8:30 am - 8:00 pm E.S.T.

For Orders & Customer Service:  
 Email: [customer@advancetabco.com](mailto:customer@advancetabco.com) or Fax: 631-242-6900

For Smart Fabrication™ Quotes:  
 Email: [smartfab@advancetabco.com](mailto:smartfab@advancetabco.com) or Fax: 631-586-2933