



### P85M8 Full Size Manual / Electric Proofer/Holding Cabinet

#### CONSTRUCTION

304 stainless steel interior cabinet  
Stainless steel front, sides and top exterior  
Stainless steel interior side racks  
Stainless steel frame side hinged door  
0.2" / 5mm thick door glass  
Stainless steel control panel  
Aluminized coated steel base and rear panels

#### CONTROLS

Off / Proof / Holding mode selector switch.  
Mechanical thermostat 65-185°F / 20-85°C  
Air heating ON control panel indicator  
Humidity level control  
Humidity tank ON control panel indicator  
Cabinet temperature thermometer  
Auto-fill water system standard

#### CLEANING

Stainless steel top and side exterior panels  
Stainless steel interior chamber  
Easy access to all interior surfaces  
Fully removable stainless steel rack support  
Removable humidity water tank (no tools)

#### SPECIFICATIONS

Electrical Requirements  
110-120V, 50/60Hz, 1-phase, 1.45kW, 11.6A  
NEMA 5-15P cordset fitted



#### Water Requirements (optional)

Cold water connection 3/4" GHT male  
80psi maximum inlet pressure / 20psi minimum inlet pressure

#### External Dimensions

Width 35 7/8" / 910mm  
Height 36" / 914mm including dia. 3" / 76mm castors  
Depth 34 5/8" / 880mm

#### Proofer Internal Dimensions

Width 18 1/4" / 465mm  
Height 28 3/4" / 730mm  
Depth 31 1/4" / 795mm  
Volume 9.5ft³ / 0.27m³

#### Nett Weight (P85M8)

205lbs / 93kg

#### Packing Data (P85M8)

292lbs / 133kg  
37 ft³ / 1.05m³  
Width 37 3/8" / 950mm  
Height 42 1/4" / 1070mm  
Depth 40 1/2" / 1020mm

#### INSTALLATION CLEARANCES

Rear 1" / 25mm  
LH Side 1" / 25mm  
RH Side 1" / 25mm

#### CLEARANCE FROM SOURCES OF HEAT

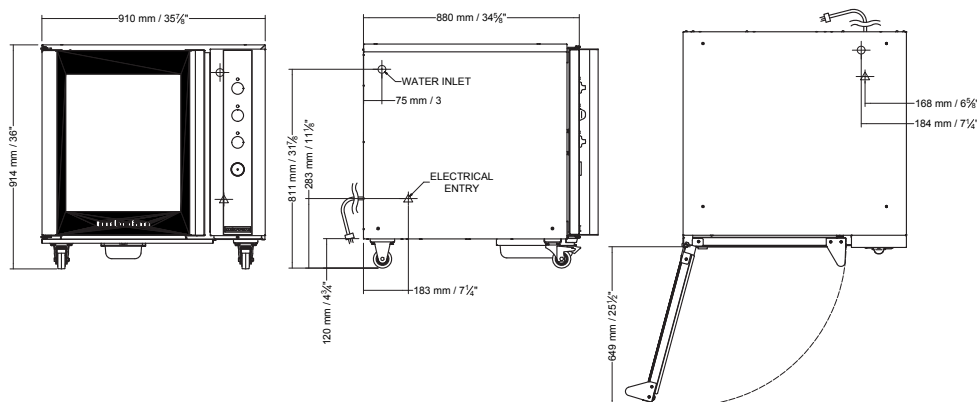
A minimum distance of 12" / 300mm from the appliance sides is required



www.moffatusa.com  
www.turbofanoven.com

#### U.S.A.

Moffat Inc  
3765 Champion Boulevard  
Winston-Salem  
North Carolina 27105  
Ph Toll Free 1-800-551 8795  
Ph 336-661 0257  
Fax 336-661 9546  
Email sales@moffat.com  
www.moffatusa.com



Manufactured by:  
Moffat Limited  
45 Illinois Drive, Izone Business Hub  
Rolleston 7675, New Zealand



Designed and manufactured by



#### ISO9001

All Turbofan products are designed and manufactured by Moffat using the internationally recognised ISO9001 quality management system, covering design, manufacture and final inspection, ensuring consistent high quality at all times.

In line with policy to continually develop and improve its products, Moffat Limited reserves the right to change specifications and design without notice.

