

Product Specifications Undercounter Freezers

- Convenient undercounter freezer storage designed to properly preserve food
- Confidently store ingredients and more where you need it most
- Available in a variety of sizes
- Casters available (2 locking) for easy mobility



UCFZ552-SS61A



UCFZ570-SS61A



UCFZ588-SS61A

Model	Description	Voltage/Hz/Phase/Amps	Shipping Weight
UCFZ552-SS61A	2 Door Undercounter Freezer	115 / 60 / 1 / 5	353 lb
UCFZ570-SS61A	3 Door Undercounter Freezer	115 / 60 / 1 / 5	507 lb
UCFZ588-SS61A	4 Door Undercounter Freezer	115 / 60 / 1 / 5	551 lb

Specifications

UCFZ552-SS61A dimensions: 35" H x 57 ¹⁵/₃₂" W x 27 ⁹/₁₆" D

UCFZ570-SS61A dimensions: 35" H x 76 ³⁷/₆₄" W x 27 ⁹/₁₆" D

UCFZ588-SS61A dimensions: 35" H x 95 ⁴³/₆₄" W x 27 ⁹/₁₆" D

UCFZ552-SS61A: volume of 9.88 cu ft, 2 epoxy coated shelves

UCFZ570-SS61A: volume of 15.57 cu ft, 3 epoxy coated shelves

UCFZ588-SS61A: volume of 21.2 cu ft, 4 epoxy coated shelves

AISI 304 stainless steel interior and exterior

Autodefrost

CFC-free high density polyurethane insulated cabinet

Electronic Control

Environmentally friendly R449a refrigerant: UCFZ552-SS61A: 8.1 oz (0.230 kg) / UCFZ570-SS61A: 14.1 oz (0.400 kg) / UCFZ588-SS61A: 14.1 oz (0.400 kg)

Epoxy coated, sealed evaporator eliminates potential corrosion

Factory pre-wired for dedicated outlet, 11 ft cord and plug included NEMA 5-15P

Max weight per shelf: 66 lb

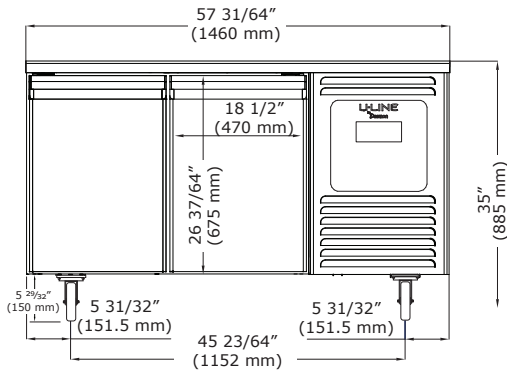
NSF/ANSI Standard 7 compliant

Temperature range: -13°F to 14°F

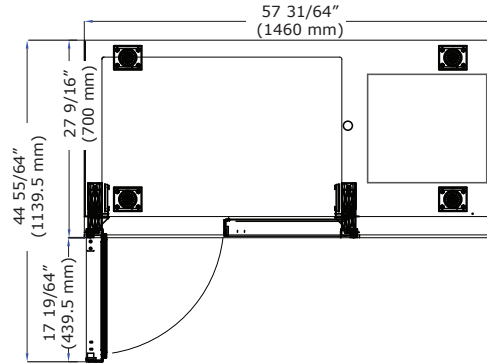


Product Specifications • Undercounter Freezers

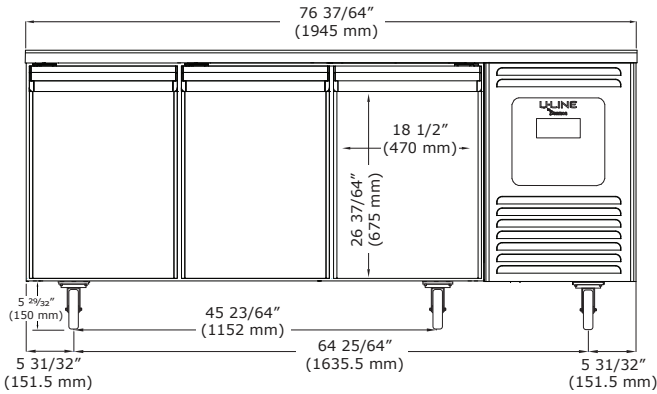
Front (UCFZ552-SS61A)



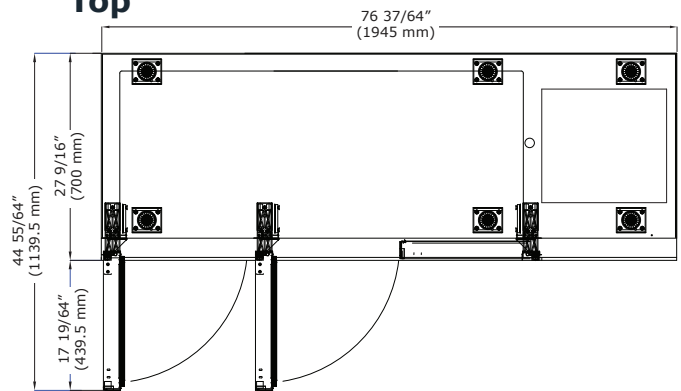
Top



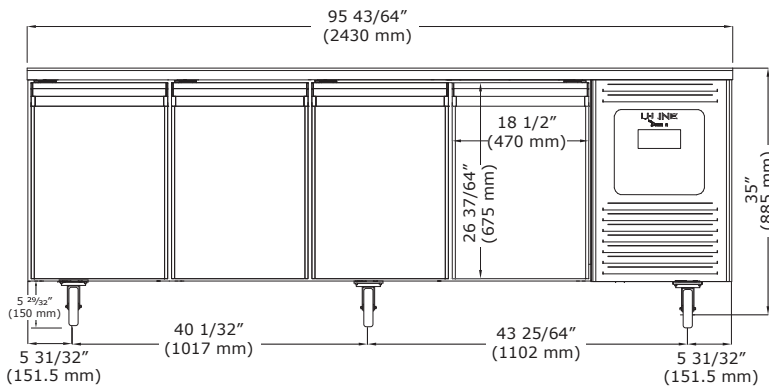
Front (UCFZ570-SS61A)



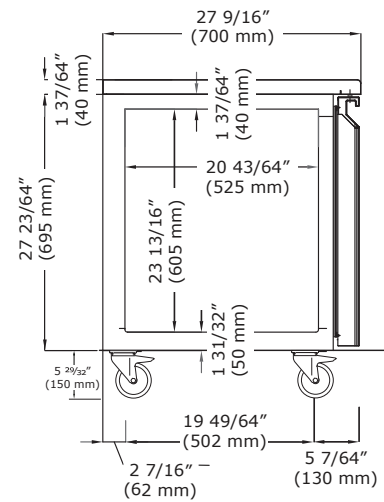
Top



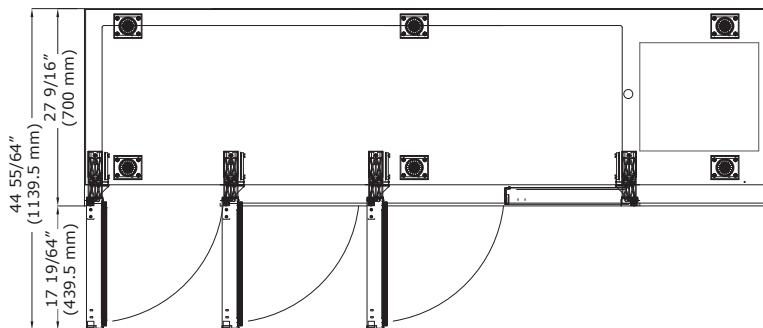
Front (UCFZ588-SS61A)



Side (all models)



Top



Commercial Warranty

3 Year (parts & labor) / 5 year sealed system (parts)
See complete warranty for details