

Solar Powered Timer | TTS



TTS-4



TTS-8

Ensure product quality and consistency by tracking cooking and holding times. The Solar Timer is a cost-effective solution for monitoring products throughout the cooking process.

Currently available in four and eight channel models, these reliable timers are solar powered and require no electricity. Easy to program and maintain, TimeTech ST timers control up to two stages of your cooking or holding process and provide both audible and visual signals when timing is complete. Program times are stored in memory for repeated use.

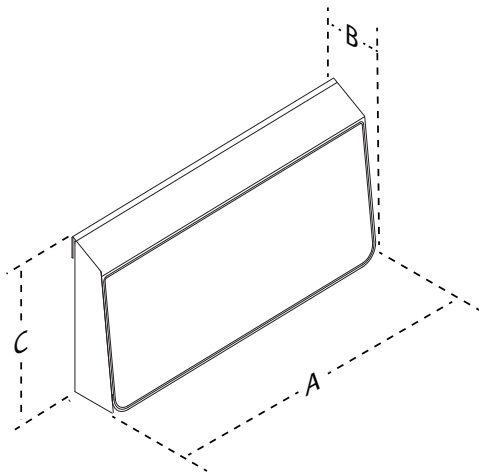
The magnetic mounting panel adheres to most metal surfaces and allows for flexible mounting of the unit. For those areas where no magnetic surface is available, a magnetic mounting bracket is supplied.

FEATURES

- Solar powered—no electrical outlet required.
- Quick and easy to install—no tools needed.
- Two stages for cooking or holding functions.
- No net increase in labor.
- Four or eight channel models.
- Easy to use.

Solar Powered Timer | TTS

Dimensions



Model & Mfg. No.	Width (A)	Depth (B)	Height (C)
TTS-4 9900624	10" (254 mm)	2 1/8" (54 mm)	6 1/8" (156 mm)
TTS-8 9900628	10" (254 mm)	2 1/8" (54 mm)	6 1/8" (156 mm)

Shipping Dimensions

Model & Mfg. No.	Height	Width	Depth	Weight
TTS-4 9900624	4" (102 mm)	13" (330 mm)	10" (254 mm)	4 lbs. (2 kg)
TTS-8 9900628	4" (102 mm)	13" (330 mm)	10" (254 mm)	4 lbs. (2 kg)

Specifications

Model & Mfg. No.	Description
TTS-4 9900624	4-Channel Timer
TTS-8 9900628	8-Channel Timer
Mounting Kit 7000456	Additional Universal Mounting Kit

Warranty: 90-day manufacturer's warranty.

Note: Timer includes one Universal Mounting Bracket.

P/N 1020256 01/17