



STAINLESS STEEL

FABRICATED CORNER FLOOR MOP SINK With DROP-FRONT

Item #:	_____	Qty #:	_____
Model #:	_____		
Project #:	_____		



FEATURES:

Floor mounted mop sink eliminates the need of lifting heavy containers.
 Tile edge furnished on the rear.
 Bowls rectangular in design for increased capacity.
K-16 Free Flow Drain is included with each mop sink.
 Features a notched out front which allows for ease of emptying mop bucket)

CONSTRUCTION:

All TIG welded.
 Welded areas blended to match adjacent surfaces and to a satin finish.

MATERIAL:

16 Gauge type "304" series stainless steel sink bowl & Apron.



Notched Out Front Allows Ease of Emptying Mop Bucket



Fabricated Bowls are Welded Together at the Seams

Model #	Bowl Size	O.A. Dimension (W x L x H)	Drain Distance (From each wall)	Approx. Wt.	Approx. Cu.
9-OP-44CDF	24" x 24"	26 1/2" x 26 1/2" x 17"	7"	70 lbs.	9

MOP SINK ACCESSORIES

- K-16** Replacement drain for floor mop sinks
- K-240** Service Faucet*
- K-242** 23" wide mop hanger
- K-243** Stainless steel mop drainage tray
- K-244** Hose and hanger
- K-245** 8" x 24" utility shelf
- K-246** 8" x 36" utility shelf

*Does not meet Federal Lead Free Standards as it is not intended for potable water.



Customer Service Available To Assist You **1-800-645-3166** 8:30 am - 8:00 pm E.S.T.

For Orders & Customer Service:
 Email: customer@advancetabco.com or Fax: 631-242-6900

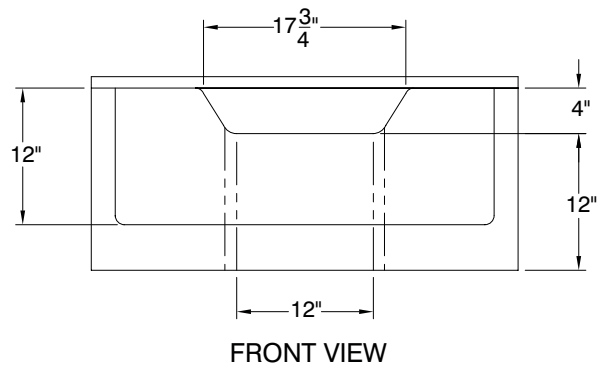
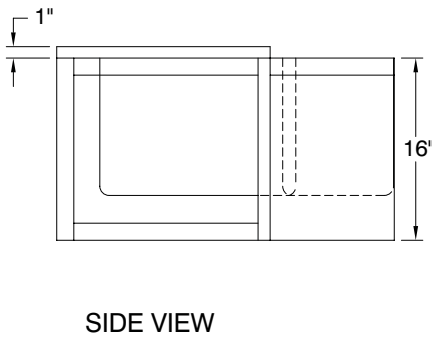
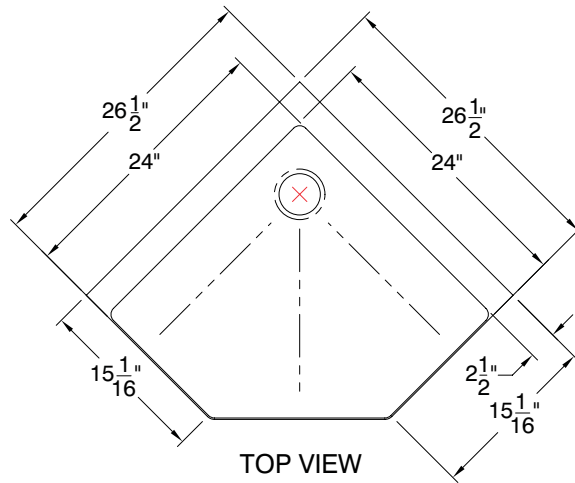
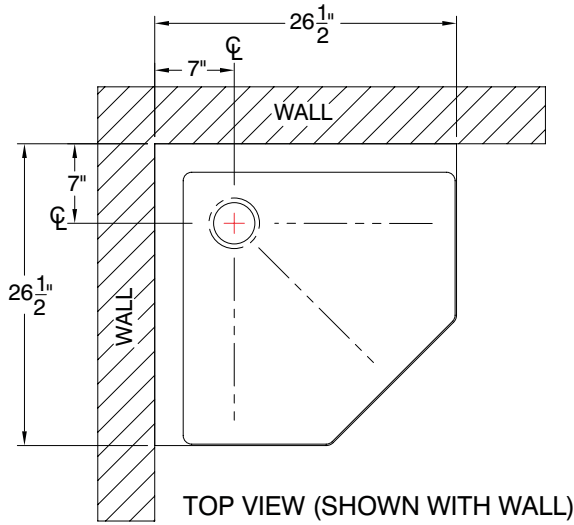
For Smart Fabrication™ Quotes:
 Email: smartfab@advancetabco.com or Fax: 631-586-2933

DIMENSIONS and SPECIFICATIONS

TOL Overall: $\pm .500''$
 Interior: $\pm .250''$

ALL DIMENSIONS ARE TYPICAL

9-OP-44CDF



70 lbs.

