

Dough Sheeter with 28" (710mm) Table Length

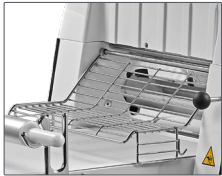
ITEM: 49115 49116
MODEL: BE-IT-710-CSS BE-IT-710-FSS



49115 - Countertop Model



49116 - Floor Model



Movable
Safety Guard



Thickness
Adjustment



Control Panel

operate

The best dough sheeter for your bakeries, restaurants and hotels.

FEATURES:

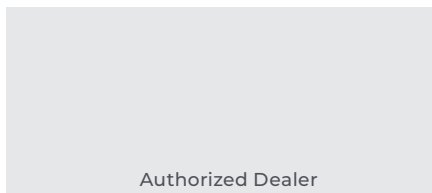
- Aluminium die-cast shoulders and casing
- Possibility of working all types of dough, obtaining very thin results
- Galvanized hard chrome plated, ground and polished cylinders
- Easy to remove scrapers, for quick and efficient cleaning
- Unique design prevents dough sheets from wrinkling
- Folding tables to reduce machine space when not in use
- Low voltage electrical system with dual commands (hand and foot pedal)
- Accident prevention safety guards connected to the electrical system by limit switches
- Machine mounted on wheels making it fully mobile

1-833-487-3686

www.trentoequipment.com

sales@trentoequipment.com

Follow us on social media
[@trentoequipment](#)

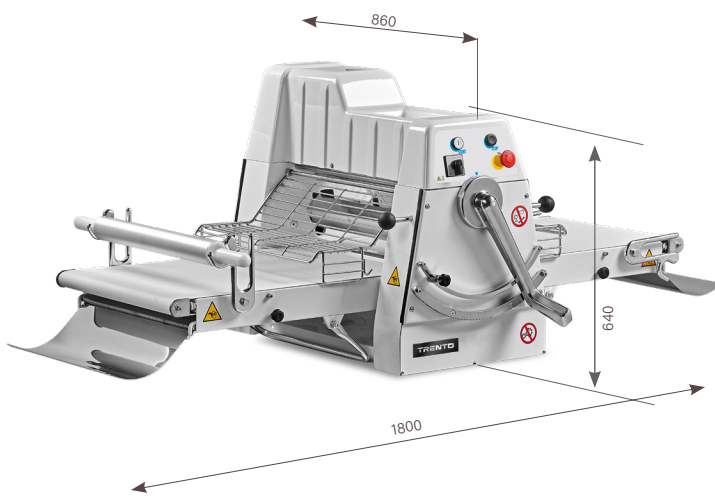


Technical Specification

Feature	Countertop Model	Floor Model
Item	49115	49116
Model	BE-IT-710-CSS	BE-IT-710-FSS
Dough Quantity	11 lb. (5 kg.)	11 lb. (5 kg.)
Sheeting Thickness	0-1.4" (0 - 35 mm)	0-1.4" (0 - 35 mm)
Power	750 W	750 W
Electrical	220V/ 60Hz / 1Ph	220V/ 60Hz / 1Ph
Belts Speed	0.275 - 0.475 m/s	0.275 - 0.475 m/s
Cylinder Length	19.7" (500 mm)	19.7" (500 mm)
Cylinder Diameter	2.4" (60 mm)	2.4" (60 mm)
Table Length	28" (710 mm)	28" (710 mm)
Net Weight	253.5 lb. (115 kg)	326.3 lb. (148 kg)
Working Dimensions (WDH)	70.8" x 34.6" x 25" (1800 x 880 x 640 mm)	70.8" x 34.6" x 43.3" (1800 x 880 x 1100 mm)
Closed Dimensions (WDH)	20.5" x 34.6" x 32.7" (520 x 880 x 830 mm)	23.6" x 34.6" x 57.5" (600 x 880 x 1460 mm)
Gross Weight	284.4 lb. (129 kg.)	359.4 lb. (163 kg)
Gross Dimensions (WDH)	36.2" x 24.8" x 40.2" (920 x 630 x 1020 mm)	36.2" x 24.8" x 63.8" (920 x 630 x 1620 mm)

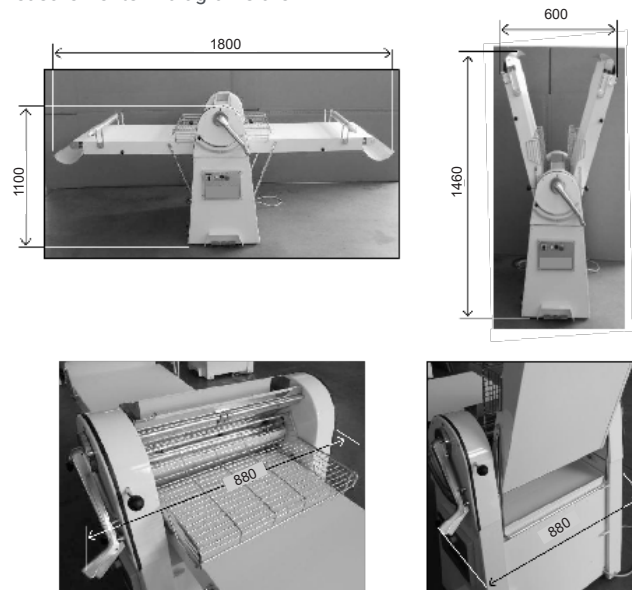
Technical Drawing

*measurements in diagrams are in mm



49115 - Countertop Model

*measurements in diagrams are in mm



49116 - Floor Model

Floor Model Updated Features

