

SEALED WELL ELECTRIC TABLES WITH ENCLOSED BASE AND DOORS



SW-5E-240-DR



Sealed Well with Drain

Item #: _____ Qty #: _____
 Model #: _____
 Project #: _____



Optional TA-255P
Casters Available

FEATURES:

Stainless steel undershelf
 Fiberglass insulation between each compartment
 Drains with gate valves per well for use with water
 Stainless steel 8" support shelf with removable
 3/8" thick poly cutting board - Ships K.D.

MATERIAL:

TOP: 20 gauge #302 stainless steel with die stamped pan openings. (11.875" x 20.062")
BODY: 22 gauge #430 stainless steel
BASE: 18 gauge stainless steel with fully adjustable stainless steel bullet foot
UNDERSHELF: 22 gauge #430 stainless steel
LINERS: 20 Gauge stainless steel deep drawn with drain
CUTTING BOARD: White Thermoplastic
CUTTING BOARD BRACKETS: 16 gauge, #302 stainless steel

ELECTRICAL:

120V units yield 640 Watts
 208V/240V dual voltage units yield 825 Watts at 208V and 1100 Watts at 240V
 8' electrical cord with plug
 Infinite control knobs
 Indicator lights



Model #	Length	Width*	# of Wells	Volts	True Amps/ Watts Per Unit	NEMA Plug	Wt.	Cu. Ft.
SW-2E-120-DR	A = 31-13/16"	30-5/8"	2	120	10.67/1280	5-20P	127 lbs.	28
SW-3E-120-DR	B = 47-1/8"	30-5/8"	3	120	16/1920	5-20P	155 lbs.	41
SW-4E-120-DR	C = 62-7/16"	30-5/8"	4	120	21.33/2560	L5-30P	197 lbs.	54.55
SW-2E-240-DR	A = 31-13/16"	30-5/8"	2	208/240	9.17/2200	6-20P	127 lbs.	28
SW-3E-240-DR	B = 47-1/8"	30-5/8"	3	208/240	13.75/3300	6-20P	155 lbs.	41
SW-4E-240-DR	C = 62-7/16"	30-5/8"	4	208/240	18.33/4400	L6-30P	197 lbs.	54.55
SW-5E-240-DR	D = 77-3/4"	30-5/8"	5	208/240	22.92/5500	L6-30P	215 lbs.	66.94
SW-6E-240-DR	E = 93-1/16"	30-5/8"	6	208/240	23.82/6600	L6-30P	316 lbs.	88

*Width Includes 8" Cutting Board

NOTE: Units are not designed to cook or heat frozen or refrigerated foods. Food placed in tables should already be hot,

and the table will maintain the proper temperatures

NEMA PLUGS: Your plug will look like this...



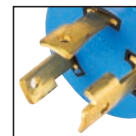
NEMA 5-20P



NEMA 6-20P



NEMA L5-30P



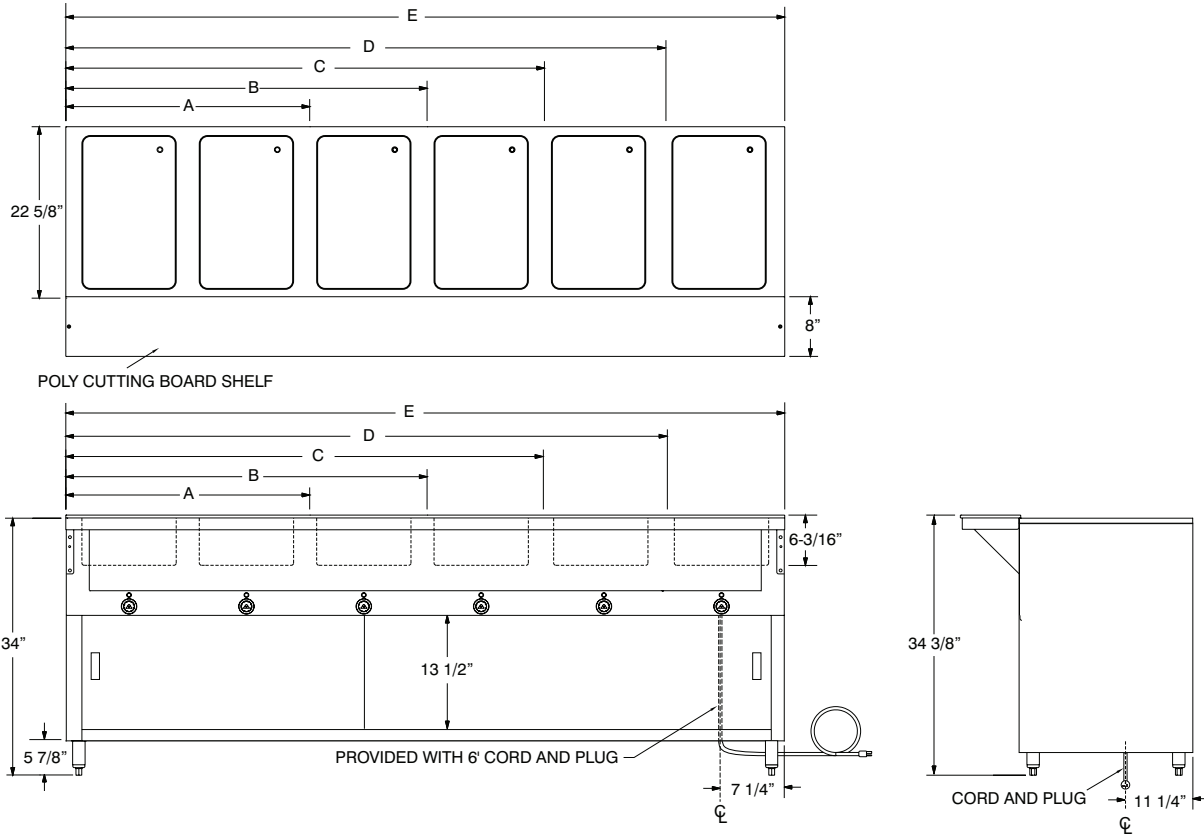
NEMA L6-30P

NOTE: For international applications, plug may need to be replaced (by others) in field.

DIMENSIONS and SPECIFICATIONS

TOL ± .125"

ALL DIMENSIONS ARE TYPICAL



Food Table Shelving, Options & Accessories

Visit our website for additional Food Table Accessories



19-1/4" Height

10" Wide Buffet Shelf with Built-In Food Shield

Model	Length	Approx. Wt.	Cu. Ft.
TBS-2	31-13/16"	34 lbs.	2
TBS-3	47-1/8"	42 lbs.	3
TBS-4	62-7/16"	47 lbs.	4
TBS-5	77-3/4"	55 lbs.	4
TBS-6	93-1/16"	63 lbs.	4



Acrylic Side Panels for Buffet Shelf

Add side panels to meet additional NSF requirements (2 panels per side)

TBP-1 One Side
TBP-2 Two Sides

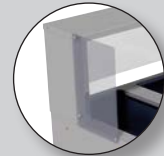
Field Installation Available



15" Height

10" Wide Serving Shelf with Built-In Food Shield

Model	Length	Approx. Wt.	Cu. Ft.
TSS-2	31-13/16"	18 lbs.	2
TSS-3	47-1/8"	23 lbs.	3
TSS-4	62-7/16"	30 lbs.	4
TSS-5	77-3/4"	35 lbs.	4
TSS-6	93-1/16"	41 lbs.	4



Acrylic Side Panel for Serving Shelf

Add side panels to meet additional NSF requirements (1 panel per side)

TSP-1 One Side
TSP-2 Two Sides

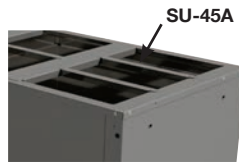
Field Installation Available

SU-25S Add Casters to Food Units with Undershelf (Includes 4 -5" Swivel Casters, 2 w/ Brakes & Legs That Maintain Height)

SU-25 Add Casters to Food Units with Undershelf (For Units Built Before Oct. 2015. Includes 4 -5" Swivel Casters, 2 w/ Brakes.)

SU-90 Automatically fills & maintains water level. For DISW, DISLSW, SW & HDSW Series. Requires Manifold Drain Assembly (Except HDSW series).

TCB-OMIT Remove Poly Cutting Board



SU-45A 12" x 1" Adapter Bar
SU-45B 20" x 3" Adapter Bar



Manifold Drain Shown (-M)

-T Thermostatic Control (Per Well)

-M Manifold Drains (Per Well)

