



ICE TRANSPORT SYSTEM SCD 1400

2 YEARS
WARRANTY
PARTS & LABOR

ICE BIN WITH CARTS FOR MODULAR MACHINE

FEATURES

- ▶ ICE BIN CAPACITY OF 1360,25 LBS + 247 LBS/CART
- ▶ AISI 304 STAINLESS STEEL CONSTRUCTION
- ▶ HARD SANITARY POLYETHYLENE ONE PIECE LINER, RESISTANT TO BLOWS, AND SCRATCHES
- ▶ EASY CLEANING DESIGN®: SEAMLESS ONE-PIECE ONE PIECE LINER WITH ROUNDED CORNERS, AVOIDING POSSIBLE DIRTY POINTS AND FACILITATING CLEANING
- ▶ DRAINAGE SYSTEM THAT COLLECTS AND DRIVES THE WATER TO THE DRAIN KEEPING THE BIN AND FLOOR CLEAN & DRY
- ▶ LARGE CAPACITY EASY CART®, UP TO 247 LBS OF ICE (154,3 LBS WITH BUCKETS); ERGONOMIC, EASY TO MOVE WITH LITTLE EFFORT
- ▶ EASY CART® HAS A BRAKING AND DRAINAGE SYSTEM
- ▶ EASY CART® IS MADE OF SANITARY POLYETHYLENE, SMOOTH SURFACE TO FACILITATE CLEANING. IT INCLUDES A COVER TO PREVENT DIRT TO CONTAMINATE THE ICE
- ▶ BASKETS FOR DISTRIBUTING ICE QUICKLY AND EFFORTLESSLY CAN BE INCLUDED (ACCESSORY)



RECOMMENDED MACHINES



SPIKA



2 MS500



1/2 MS1000

ICE QUEEN



1/2 IQ900



1/2 IQ1300



IQ2700



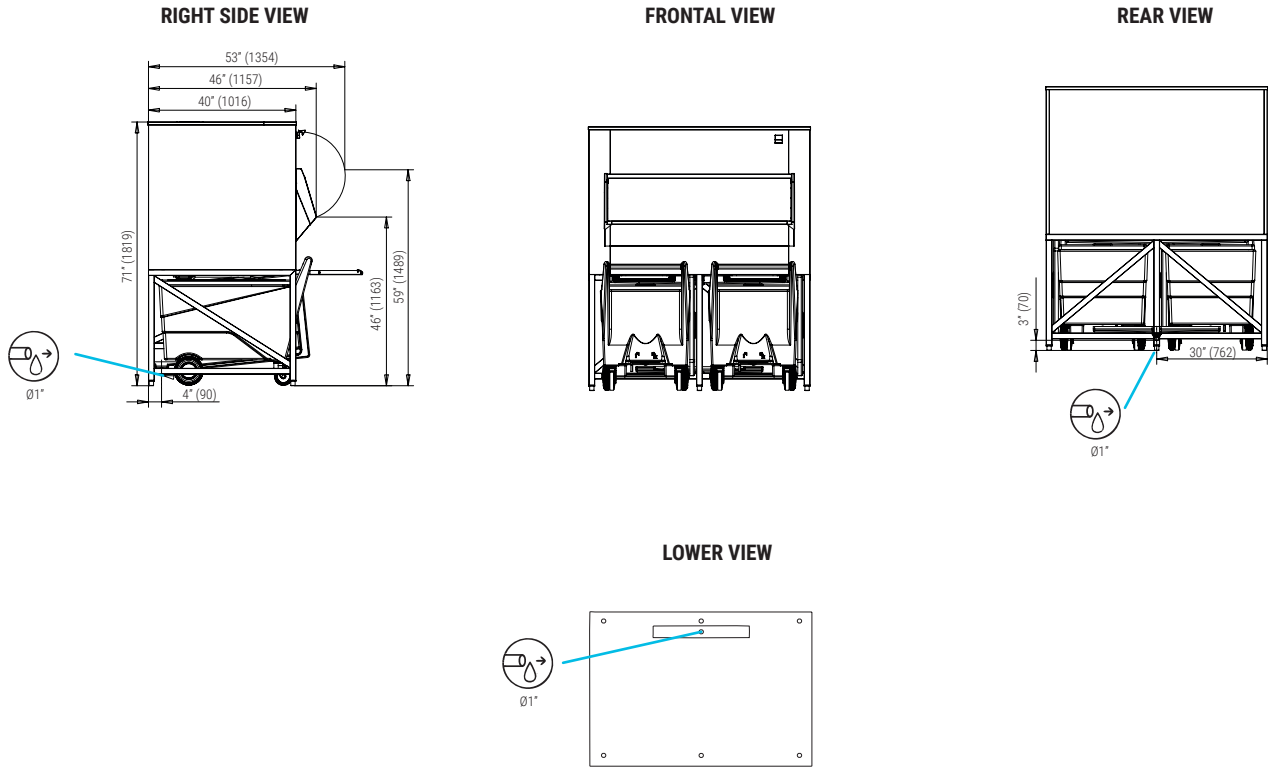
1/2 IQ1300 R



IQ2700 R

TECHNICAL SCHEME

BIN SCD-1400



* All dimensions in inches (and mm)

ACCESSORIES

INCLUDED



4 HEIGHT ADJUSTABLE LEG KIT

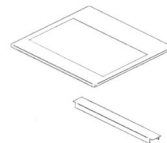


SCOOP



DRAINAGE ELBOW

NOT INCLUDED



ADAPTER PLATES

	APPLICATION Bin capacity	AHRI Bin capacity	Cart capacity	Total capacity				
	(lbs)	(lbs)	(lbs)	(lbs)	(in)	(lbs)	(in)	(lbs)
BIN SCD-1400	1,360.25	1,089	247	1607	Width 60" Depth 40" Height 72"	352.7	Width 64" Depth 49" Height 87"	562

0000_itvice/en_20/F/18



ITV Ice Makers, Inc.
9550 Satellite Blvd, Suite 100
Orlando, FL 32837
Phone: 1 407 826 1860 | Fax: 1 407 826 1861
Toll Free: 1 888 488 1423
sales@itvice.com | www.itvice.com



SERVICE
service@itvice.com
Skype: service@itvice.com
PHONE: +1 888 488 1423
FROM 8AM TO 5PM EST



Read our warranty policy to know more about limitations and exclusions

