

TECHNICAL DATA

Dimensions

Exterior Dimensions (WxDxH)	23.5" x 30.5" x 38.75"
Interior Dimensions (WxDxH)	20" x 19" x 29"
Net Volume (cu. ft.)	
Gross Weight	180lbs
Packaging Dimensions (WxDxH)	26" x 32.5" x 45"
Electrical Cord Length	
Capacity	6.5 cu. ft. 1 x 1/2 Keg

Cooling

Temperature Range	33° - 40° F
Refrigerant	R290
Maximum Ambient Temp	90° F
Maximum Humidity	65%
Defrosting	Automatic
Cooling System	
Temperature Display	
Temperature Controller	Electronic
H/P	1/6

Construction

Exterior Material	Stainless Steel Top, Black Vinyl Finish
Insulation Material	
Shelf Material	
Shelf Load Capacity	
Shelves	2
Doors	1

Electrical

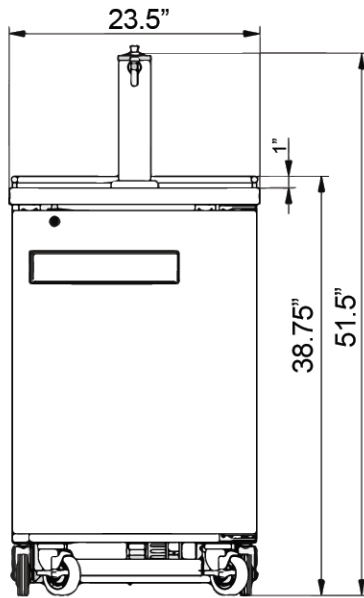
Voltage	115/60/1
Amps	1.92

PLAN VIEW

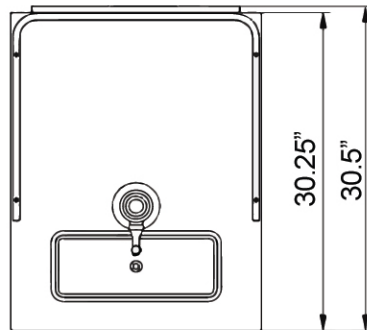


Intertek

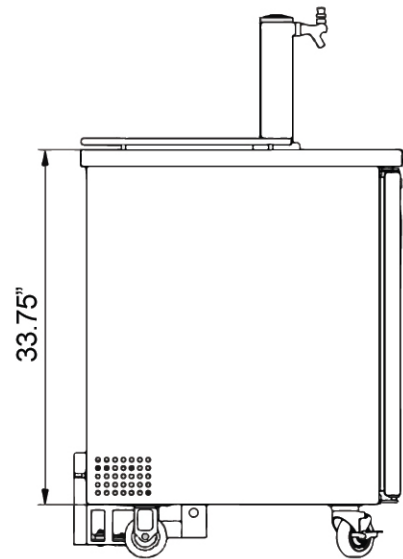
COMPLIES WITH ANSI/NSF 7
FOR FOOD SERVICE



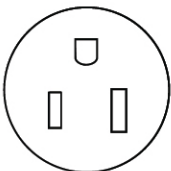
Front View



Top View

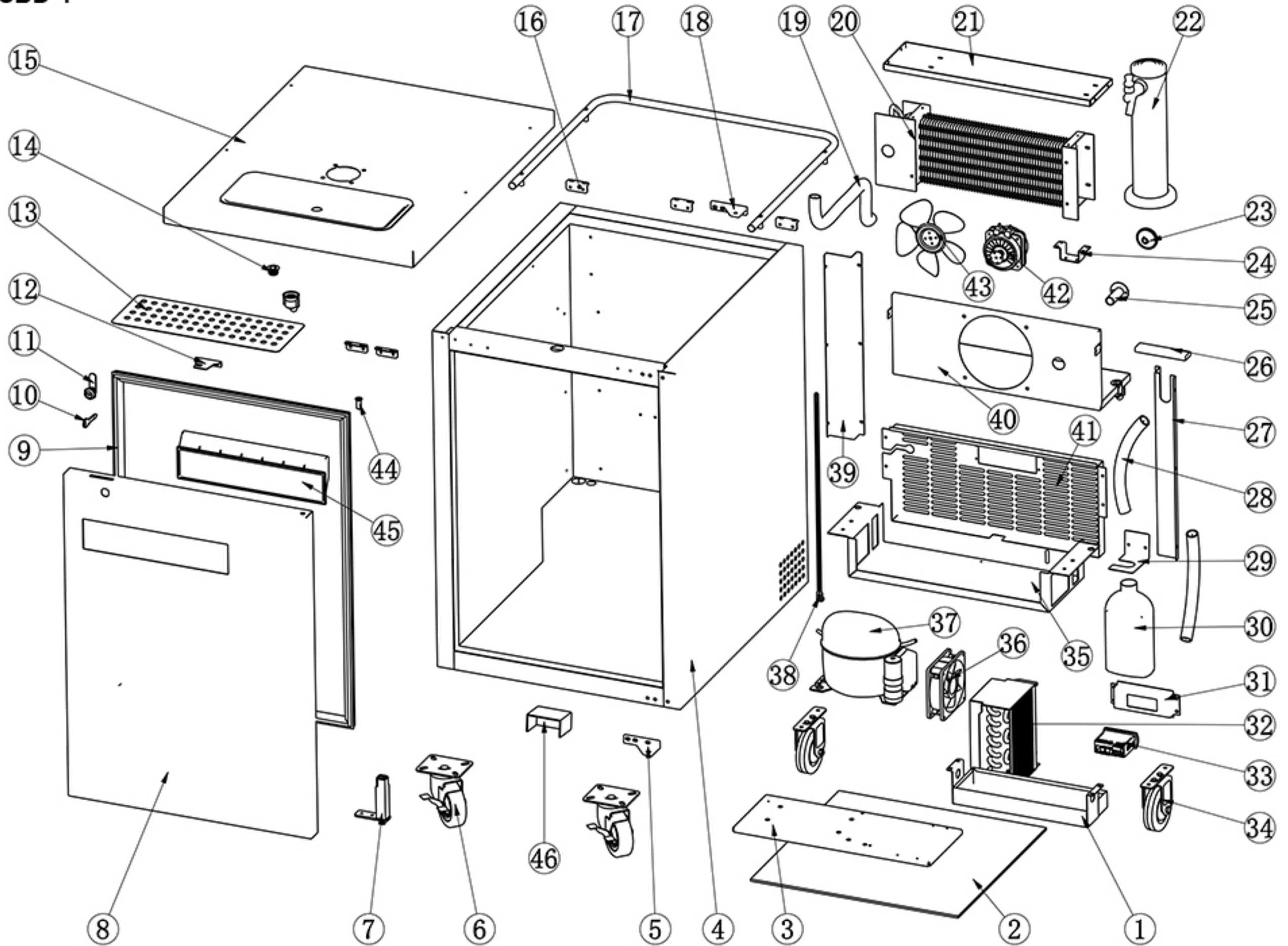


Side View



NEMA 5-15P

SBD-1



NO.	Part Name	Factory Part NO.	QTY
1	OUTER DRAIN PAN		1
2	RUBBER PAD	16413130006	1
3	COMPRESSOR INSTALLATION BOARD		1
4	CABINET		1
5	BOTTOM RIGHT HINGE	12517140003	1
6	CASTER WITH BREAK	12533070420	2
7	HINGE AXIS	12517010001	1
8	DOOR		1
9	GASKET	16401000099	1
10	KEY	12546310002	1
11	LOCK	12546100952	1
12	LOCK PLATE		1
13	COVER FOR BEER DRIP PAN		1
14	DRAIN CONNECTOR FOR BEER DRIP PAN	16369370060	2
15	TOP BOARD		1
16	TOP BOARD FIXER		4
17	STAINLESS STEEL GUARD RAIL	12599990492	1
18	UPPER RIGHT HINGE	12517140004	1
19	CORRUGATED PIPE	15799990729	1
20	EVAPORATOR	17402060350	1
21	FAN MOTOR INSTALLATION PANEL		1
22	BEER TOWER KIT - ONE TAP	12599993000	1
23	RUBBER TUBE PLUG	16413140001	1
24	EVAPORATOR FAN HOLDER		1
25	RUBBER TUBE COVER	16369690007	1
26	THERMOMETER	17799990002	1
27	DRAIN HOSE COVER BOARD		1
28	DRAIN HOSE	15818180013	2
29	FIXER FOR PLASTCI BOTTLE		1
30	PLASTIC BOTTLE FOR DRIPPED BEER	7199000102	1
31	THERMOSTAT INSTALLATION COVER		1
32	CONDENSER	17303080110	1
33	THERMOSTAT	17505180005	1
34	CASTER WITHOUT BREAK	12533080004	2
35	BASE BOARD FOR MACHINE ROOM		1
36	CONDENSER FAN MOTOR	1003001114715	1
37	COMPRESSOR	17202163113	1
38	BELT FOR GAS TANK	16322220010	1
39	AIR PIPE PROTECTION BOARD		1
40	EVAPORATOR COVER		1
41	BACK GRILL		1

42	EVAPORATOR FAN MOTOR	22752500021	1
43	EVAPORATOR FAN MOTOR BLADE	16381738012	1
44	AXIS COVER	16353010008	2
45	DOOR HANDLE	16337030003	1
46	WATERPROOF COVER FOR THERMOSTAT	16351170004	1

