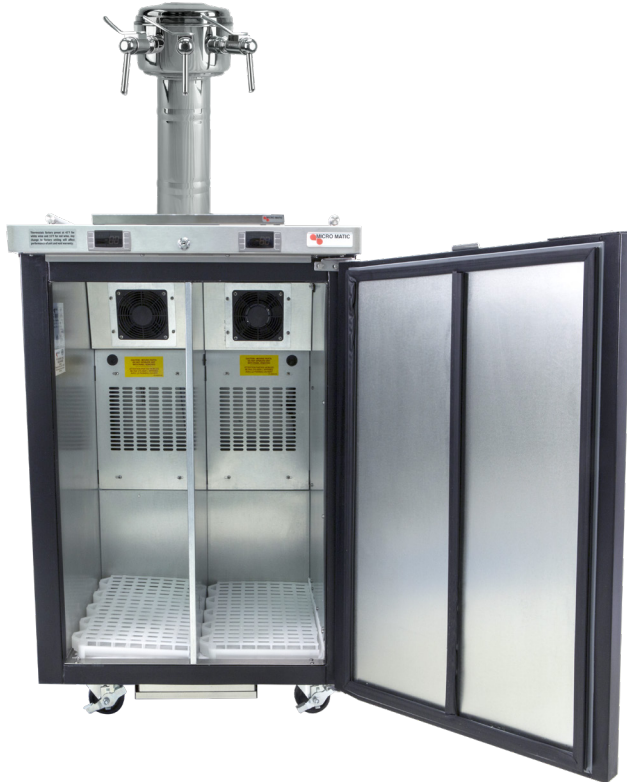




# DUAL-TEMPERATURE WINE DISPENSER

PRO-LINE™ WINE 25" - 4 KEG / 3 FAUCET

- Designed by wine-industry experts for performance and value.
- Two dedicated temperature zones for optimal wine dispensing.
- Sommelier wine font with 3 faucets.
- Commercial grade construction - built to last.



**Dual-Temperature:** Built In Digital Thermostats

**MDD23W-E-D**

Black



Listed by Edison Testing Laboratories.  
Conforms to UL & NSF Standards.

Tap handles not included  
Tapping hardware not included

[www.micromatic.com](http://www.micromatic.com) • 1 (866) 327-4159

PRO-LINE™ WINE 25" - 4 KEG

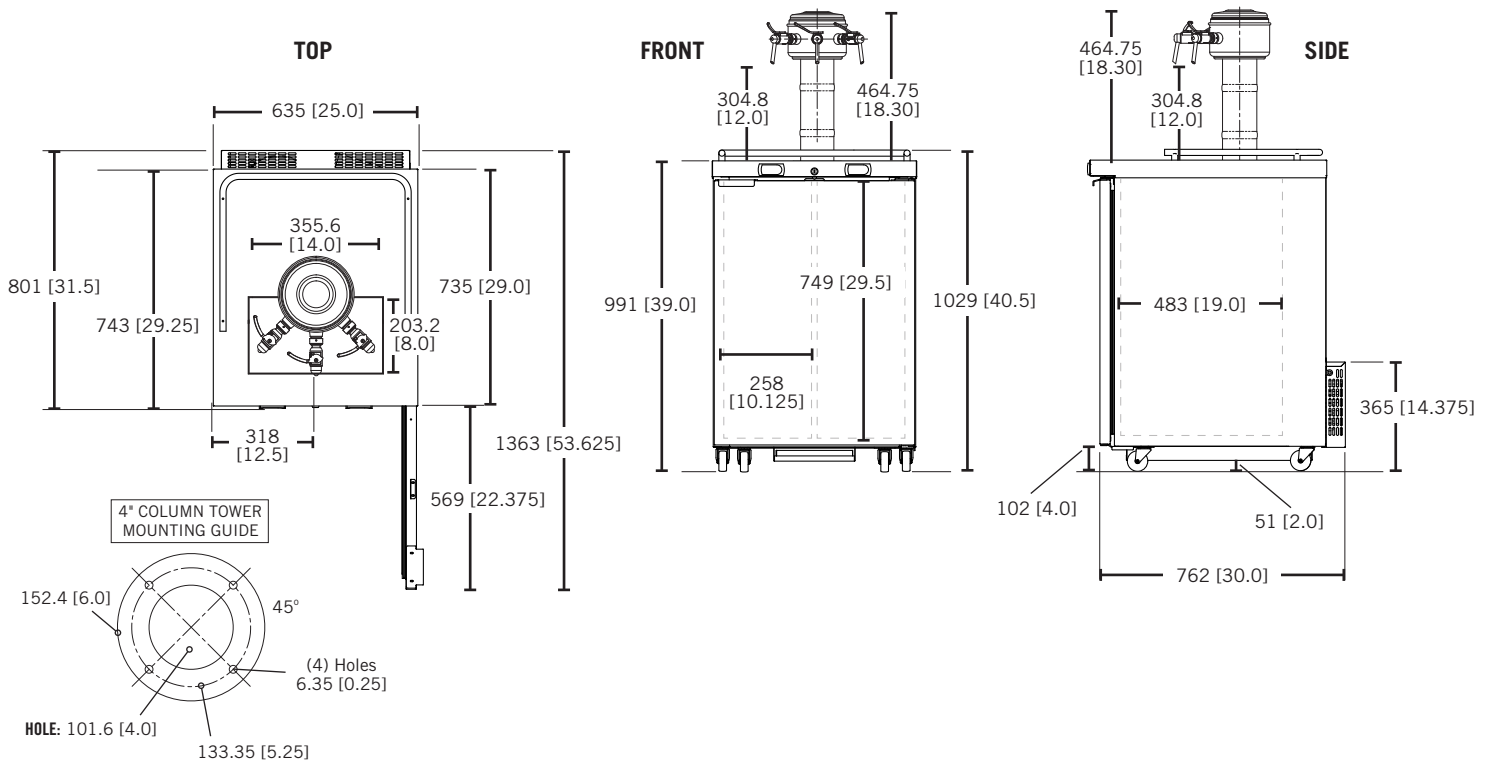
Job Number: \_\_\_\_\_ Location: \_\_\_\_\_

Part No.	Finish	Faucets	Doors	Shipping Weight
<input type="checkbox"/> MDD23W-E-D	Black	3	1	78 kg 172 lbs

Operating Performance

Capacity of 20 Liter Kegs	4 (2 per zone)	Compressor HP	1/10
Color-coded Digital Thermostats	2 (Blue LED-Whites & Red LED-Reds)	Voltage	115/60/1
Temperature Range - Whites	42-48° F (5.5 - 8.8° C)	Plug Type	NEMA-5-15P
Temperature Range - Reds	55-65° F (12.7 - 18.3° C)	Cord Length	8'
Approval	ETL Listed	Refrigerant	R290
Running Amps	1.5	Charge oz	2.8
Exterior	18 gauge stainless steel top, 22 gauge solid doors, 24 gauge steel front, sides and back.		
Interior	20 gauge stainless steel floor, reinforced frame, 24 gauge galvanized walls.		
Ventilation	Back ventilated.		
Plumbing	Automatic condensate evaporator, no drain connection required. Evaporator condensate has been plumbed to a condensate pan located in the compressor housing.		
Insulation	Foamed-in-place using high density, CFC-free polyurethane; 1-1/2" top, walls and floor.		
Mobility	Casters are standard and not removable.		

Dimensions



 **MICRO MATIC**  
Toll-Free: 1-866-327-4159  
[www.micromatic.com](http://www.micromatic.com)

**West**  
19791 Bahama St.  
Northridge, CA 91324  
Tel. (818) 701-9765  
Fax. (818) 701-9844

**Central**  
10726 North Second St.  
Machesney Park, IL 61115  
Tel. (815) 968-7557

**Southeast**  
2386 Simon Ct.  
Brooksville, FL 34604  
Tel. (352) 799-6331

**Northeast**  
4601 Saucon Creek Rd.  
Center Valley, PA 18034  
Tel. (610) 625-4464  
Fax. (610) 625-4466