

# Champion®

The Dishwashing Machine Specialists

Project \_\_\_\_\_  
Item No. \_\_\_\_\_  
Quantity \_\_\_\_\_

## STANDARD FEATURES

- Compact, flexible design to fit high volume operations
- Quality stainless steel construction
- Fully-automatic operation
- Extend the drying space for clean wares and save operator steps
- Easy-to-reach rack storage
- Sloped drain
- Cantilever load table – load racks from the front, offering layout flexibility and saving valuable space

## TABLE SYSTEMS

For Rack Conveyor Series  
Dishwashing Machines  
*PRO90, RCT90 and Cantalievered*



**PRO90**  
90° Corner  
Conveyor Table  
(PRO Series rack  
machines only)



**CCT90**  
90° Corner  
Conveyor Table  
(E-Series rack  
machines only)



**64 RCT Table**



Champion Industries, Inc.  
3765 Champion Blvd., Winston-Salem, NC 27105  
Tel: 800/532-8591 Fax: 336/661-1979  
[www.championindustries.com](http://www.championindustries.com)

# TABLE SYSTEMS

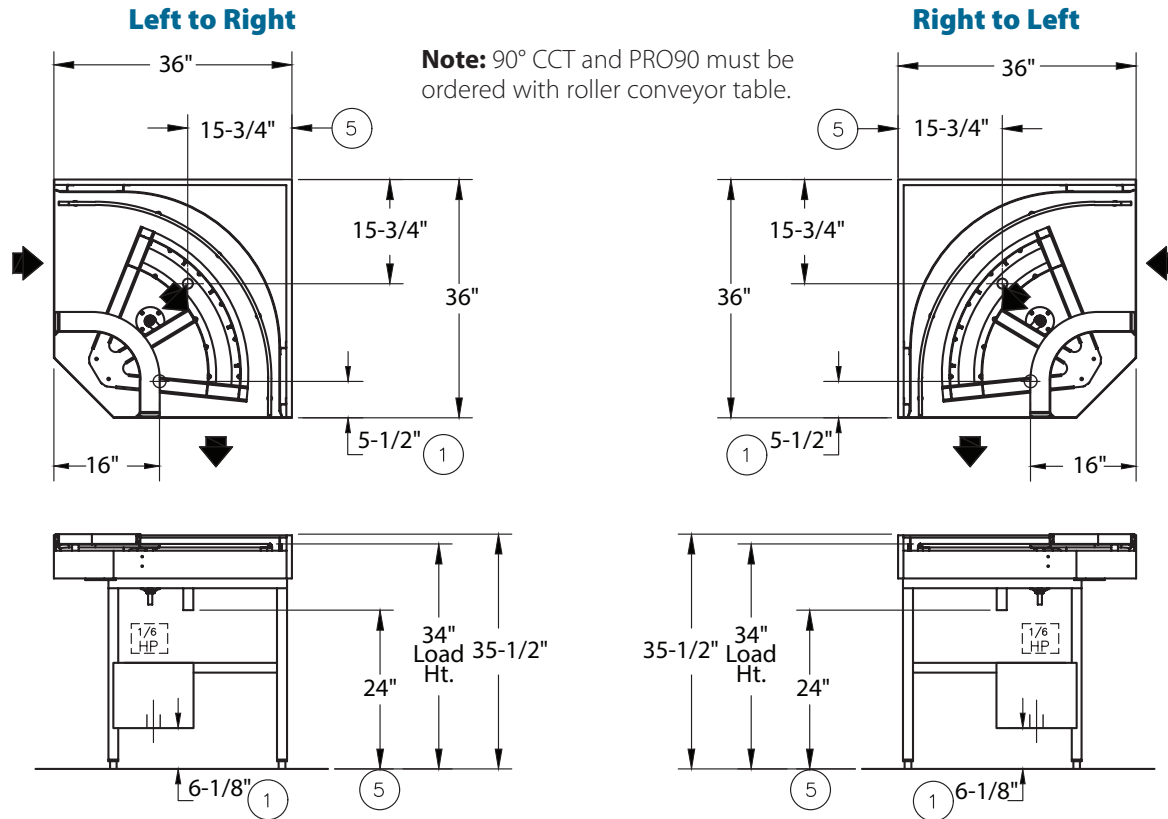
For Rack Conveyor Series  
Dishwashing Machines

# Champion<sup>®</sup>

The Dishwashing Machine Specialists

## PRO90

90° Corner Conveyor Table (PRO Series rack machines only)



## CCT90

90° Corner Conveyor Table (E-Series rack machines only)



**Note:** 90° CCT and PRO90 must be ordered with roller conveyor table.

Due to an ongoing value analysis program at Champion, specifications contained in this catalog are subject to change without notice.

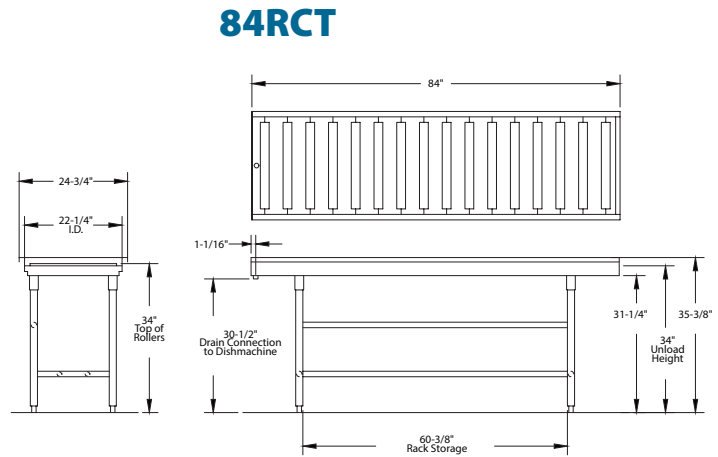
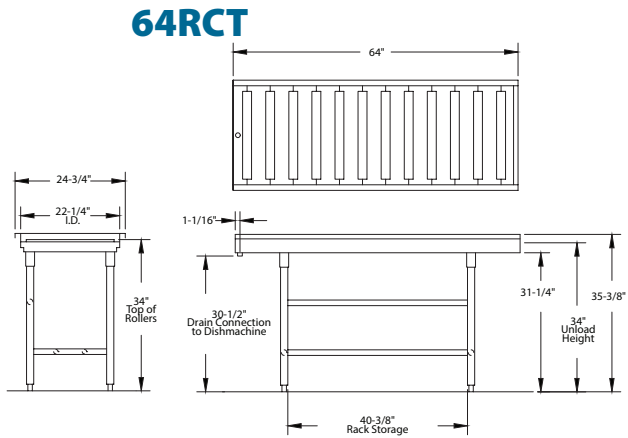
Champion Industries, Inc., 3765 Champion Blvd., Winston-Salem, NC 27105 • 800/532-8591 • Fax: 336/661-1979 • www.championindustries.com  
2674 N. Service Road, Jordan Station, Ontario, Canada L0R 1S0 • 905/562-4195 • Fax: 905/562-4618

# TABLE SYSTEMS

For Rack Conveyor Series  
Dishwashing Machines

# Champion®

The Dishwashing Machine Specialists

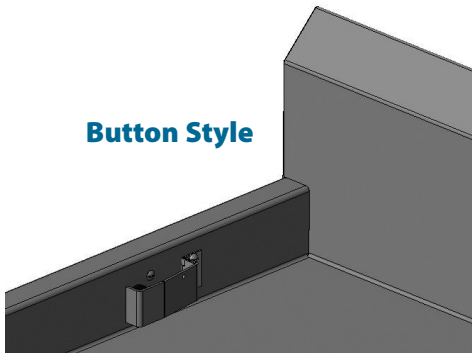


Can be custom-made to order in additional 10" increments. Comes standard with Whisker Style Table Limit Switch (factory installed). Contact factory if planning to use as load end table.

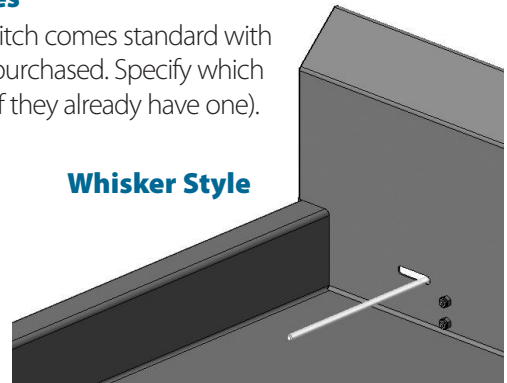
## Table Limit Switches

Note: table limit switch comes standard with all rack machines purchased. Specify which style required (or if they already have one).

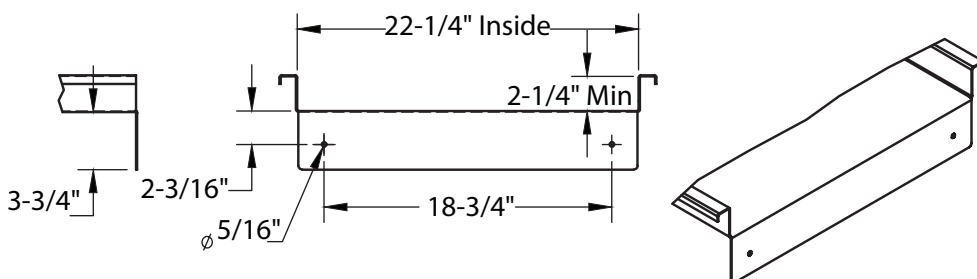
### Button Style



### Whisker Style



## Typical Unload Table Detail for 90° CCT and PRO90 Connections



### PRO90

Shipping weight: **300 lbs.**  
Volume crated: **107 cu. ft.**

### CCT90

Shipping weight: **250 lbs.**  
Volume crated: **47 cu. ft.**

### 64 RCT

Shipping weight: **180 lbs.**  
Volume crated: **60 cu. ft.**

### 84 RCT

Shipping weight: **200 lbs.**  
Volume crated: **72 cu. ft.**

Due to an ongoing value analysis program at Champion, specifications contained in this catalog are subject to change without notice.

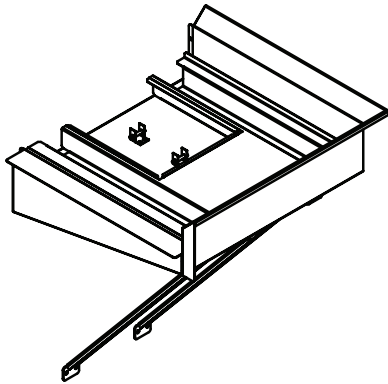
Champion Industries, Inc., 3765 Champion Blvd., Winston-Salem, NC 27105 • 800/532-8591 • Fax: 336/661-1979 • www.championindustries.com  
2674 N. Service Road, Jordan Station, Ontario, Canada L0R 1S0 • 905/562-4195 • Fax: 905/562-4618

# TABLE SYSTEMS

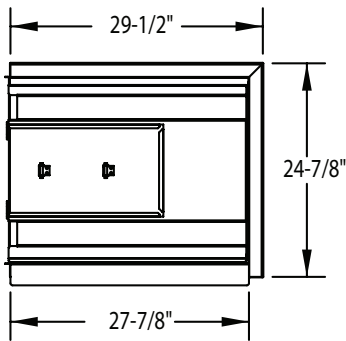
For Rack Conveyor Series  
Dishwashing Machines

# Champion<sup>®</sup>

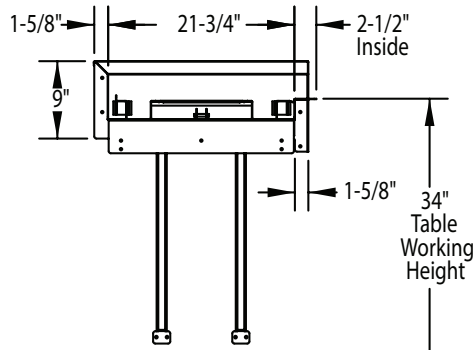
The Dishwashing Machine Specialists



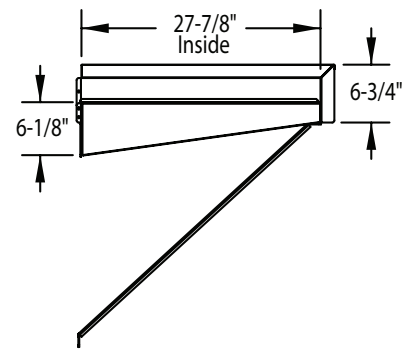
## 30" Cantilever Sideloader for 20" racks up to 27-7/8" long



**Plan View**

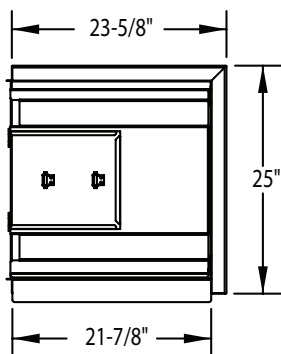


**End View**

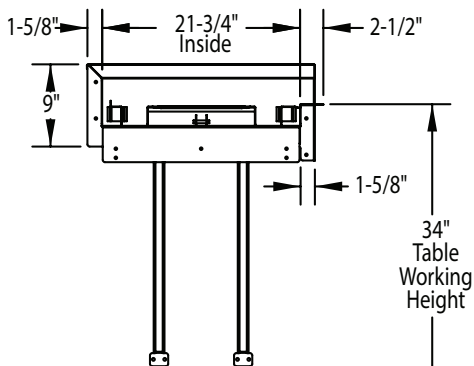


**Side View**

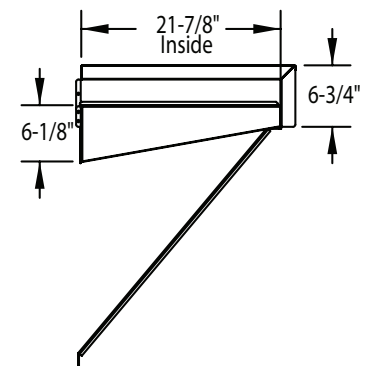
## 24" Cantilever Sideloader for standard 20" x 20" racks



**Plan View**



**End View**



**Side View**

Champion Industries, Inc.,  
 3765 Champion Blvd., NC 27105  
 336/661-1556 • Fax: 336/661-1979  
 ChampionIndustries.com