

CL60 2 Feed Heads NO DISC



AS OPTION  
**+50**  
DISCS

**Dicing and French Fries capability**



<b>D</b> Number of meals per service	300 to 3000
Theoretical output per hour*	3970 lbs

**A SALES FEATURES**

CL 60 2 Feed Heads is ideal for slicing, ripple cutting, grating, dicing, shredding and making french fries from all types of fruit and vegetables, as well as grating cheese, in very large quantities.

**B TECHNICAL FEATURES**

CL60 2 Feed Heads – Three-phase. Power - 3HP. 2 speeds 425 and 850 rpm. Magnetic safety system and motor brake. This metal Vegetable Preparation Machine has a lateral ejection facility and is equipped with 2 Feed Heads: 1 Automatic Feed Head with feeding tray and 1 Pusher Feed Head with XL full moon hopper, diameter: diameter 7"; loading volume - 4.2 quarts, and integrated tube Ø 2 1/4" and/or Ø 1,5". Stainless steel motor base and chute. This model is equipped with with 2 wheels and a handle for easy movement. Suitable for up to 3000 covers per service. Large choice of 52 discs available.

Select your options at the back page, **F** part.

**C TECHNICAL DATA**

<b>Output power</b>	3HP
<b>Electrical data</b>	Three phase - 8.3 Amp
<b>Speeds</b>	425 and 850 rpm
<b>Dimensions (HxLxW)</b>	18" x 30" x 53"
<b>Rate of recyclability</b>	95%
<b>Net weight</b>	187 lbs
<b>Nema #</b>	L15 - 20P
<b>Reference</b>	CL 60 2 Feed Heads Series E 208-240V/60/3

**E PRODUCT FEATURES / BENEFITS**

**MOTOR BASE**

- Industrial induction motor for intensive use.
- Power - 3HP
- Stainless steel motor base and shaft.
- Magnetic safety system with motor brake and lever-activated auto restart.
- 2 Speeds 425 and 850 rpm

**VEGETABLE PREPARATION FUNCTION**

- Vegetable Preparation Machine equipped with 2 Feed Heads to process very large quantities:
  - all stainless steel Automatic Feed Head with feeding tray combines large input of products, large output and quality cuts. Ideal for slicing delicate products like mushrooms, tomatoes, grated carrots, diced potatoes or preparing French fries.
  - Pusher Feed Head with 1 XL full moon hopper to accommodate a whole cabbage or up to 15 tomatoes, and integrated cylindrical hopper which ensures a uniform cut for long and delicate produce. Exactitude pusher: reduction of tube diameter to cut up small ingredients. Handle is height adjustable to 3 positions for optimum operator comfort. Lever-activated auto restart.
- Optimum size and height. CL60 is equipped with 2 wheels and a handle, guaranteeing very easy movement.
- Removable hopper. Tilting of the feed heads in line with the motor base for space-saving.
- Reversible discharge plate for processing delicate produce.
- Lateral ejection facility for greater user comfort.
- Large choice of 52 discs available.
- Stainless steel blades on slicing discs, blades on Julienne discs and grating discs are removable.

**MASHED POTATO FUNCTION**

- option : Mashed Potato Kit

**STANDARDS**

ETL electrical and sanitation Listed/ cETL (Canada)



\* Results may differ depending on the type of the hopper used, the choice of the cut and the setup of the workstation.

CL60 2 Feed Heads

## CL60 2 Feed Heads NO DISC

### F OPTIONAL ACCESSORIES

- 4 tubes Feed Head: Special long vegetables ref 28162
- Straight and bias cut hole hopper: ref 28157.  
for long vegetables and bias cuts
- Ergo-Mobile stand : no pans provided. Can accomodate three full-size gastronorm pans ref 49066
- Dice Cleaning Kit: cleaning tool for dicing grids ref 29246
- Mashed Potato Attachment 3 mm : ref 28188
- Wall-mounted disc holder for 8 large discs: ref 107 812

### SUGGESTED PACKS OF DISCS

<b>3 disc package</b>	5mm (3/16") coarse grating, 6mm (1/4"x 1/4") julienne and 5mm (3/16") slicing discs.
<b>5 disc package</b>	5mm (3/16") coarse grating; 6mm (1/4"x1/4") julienne; 5mm (3/16"), 10mm (3/8") slicing discs; 10x10mm (3/8" x 3/8") dicing grid
<b>16 disc package</b>	Slicers - 0.8mm (1/32"), 2mm (5/64") & 5mm (3/16"). 2 graters - 2mm (5/64") & 5mm (3/16"); 3 dicing - 5x5x5mm (3/16"), 10x10x10mm (3/8") & 14x14x5mm (9/16"x9/16"x3/16"). 2 Julienne sticks - 2.5 x 2.5mm (1/10"x1/10") & 2 x 10mm (5/64"x3/8"). Dice Cleaning Kit and 2 disc holders.

### OPTIONAL DISCS



SLICING	
0.6 mm	28166
0.8 mm	28069
1 mm (1/32")	28062
2 mm (5/64")	28063
3 mm (1/8")	28064
4 mm (5/32")	28004
5 mm (3/16")	28065
6 mm (1/4")	28196
8 mm (5/16")	28066
10 mm (3/8")	28067
14 mm (9/16")	28068
20 mm (25/32")	28132
25 mm (1")	28133
cooked potatoes 4 mm (5/32")	27244
cooked potatoes 6 mm (1/4")	27245



RIPPLE CUTTING	
2 mm (5/64")	27068
3 mm (1/8")	27069
5 mm (3/16")	27070



GRATERS	
1.5 mm (1/16")	28056
2 mm (5/64")	28057
3 mm (1/8")	28058
4 mm (5/32")	28136
5 mm (3/16")	28163
7 mm (9/32")	28164
9 mm (11/32")	28165
Röstis potatoes	27164
Raw potatoes	27219
Fine Pulping disc	28055
Hard Cheese grate	28061



JULIENNE	
1x8 mm tagliatelle (1/32"x5/16")	28172
1x26 onion/cabbage (1/32"x1 1/4")	28153
2x2 mm (5/64" x 5/64")	28051
2x4 mm (5/64" x 5/32")	27072
2x6 mm (5/64" x 1/4")	27066
2x8 mm (5/64" x 5/16")	27067
2x10 tagliatelle (5/64"x3/8")	28173
2.5x2.5 mm (1/10" x 1/10")	28195
3x3 mm (1/8" x 1/8")	28101
4x4 mm (5/32" x 5/32")	28052
6x6 mm (1/4" x 1/4")	28053
8x8 mm (5/16" x 5/16")	28054



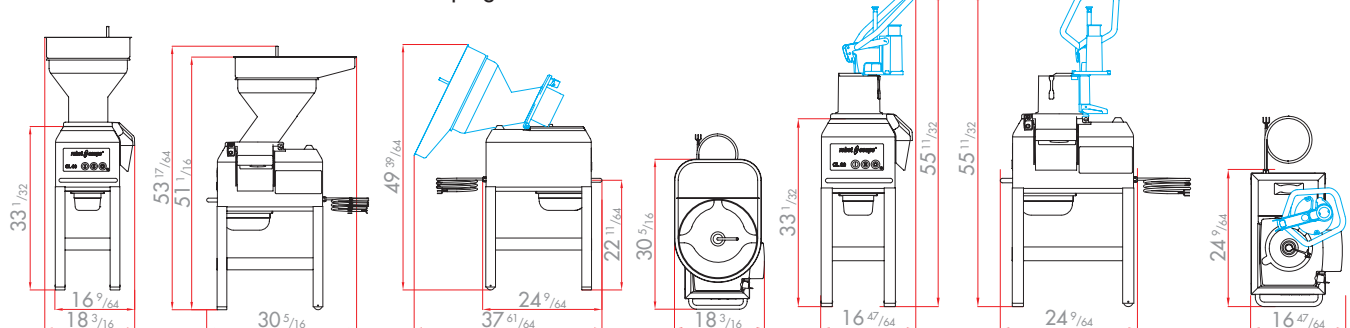
DICING EQUIPMENT	
5x5 mm (3/16")	28110
8x8 mm (5/16")	28111
10x10 mm (3/8")	28112
12x12 mm (15/32")	28197
14x14x5 mm Mozzarella (9/16"x9/16"x3/16")	28181
14x14x10mm (9/16"x9/16"x3/8")	28179
14x14 mm (9/16")	28113
20x20 mm (25/32")	28114
25x25 mm (1")	28115
2" Lettuce Cut	28180



FRENCH FRY EQUIPMENT	
8x8 mm (5/16" x 5/16")	28134
8x16 mm (5/16" x 5/8")	28159
10x10 mm (3/8" x 3/8")	28135
10x16 mm (3/8" x 5/8")	28158

### G ELECTRICAL DATA

208-240V/60/3 - delivered with cord and plug.



CL60 2 Feed Heads