



GRIDDLE BLGM48-20D

PRODUCT DESCRIPTION



-  30,000 BTU per Burner with Ever-Ready Pilots.
-  30,000 BTU Burners per 12" section with standby pilots.
-  3/4" Stainless Steel Griddle Plate .
-  Adjustable, stainless steel legs standard.
-  Griddles set up as NG standard. LP conversion kits are included with each Griddle.
-  Full length seamless drip pan, easy to remove and clean.
-  High Quality Stainless Steel Construction



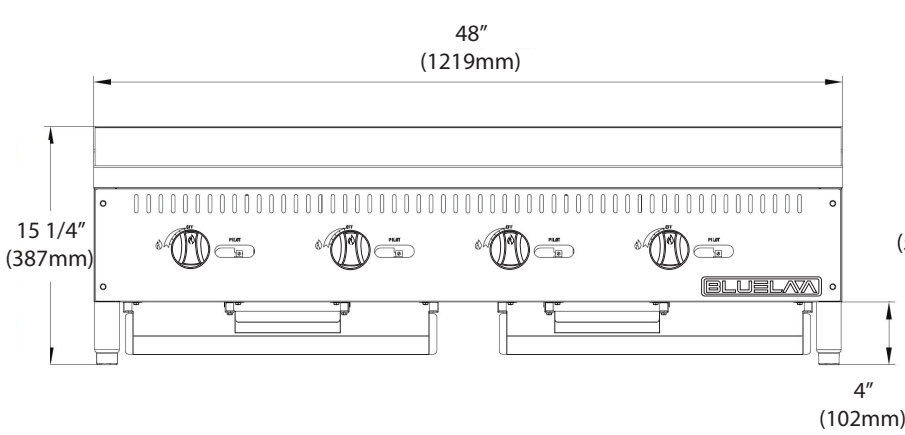
MODEL#	DIMENSION		
	Width	Depth	Height
BLGM48-20D	48 in	30 in	15 1/4 in

* All measures are presented in Inches

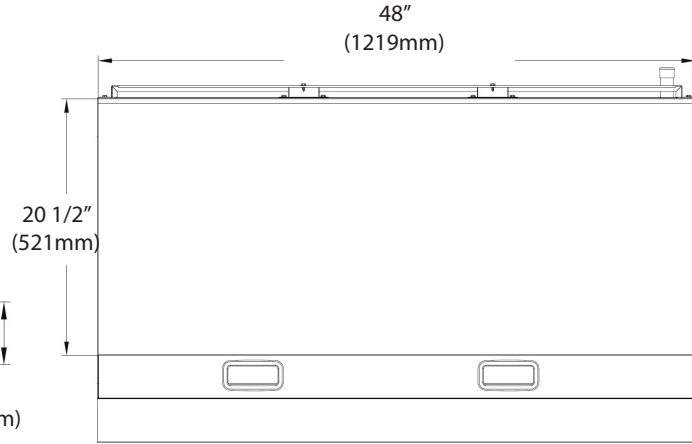


DETAILS & SPECIFICATIONS

GRIDDLE BLGM48-20D

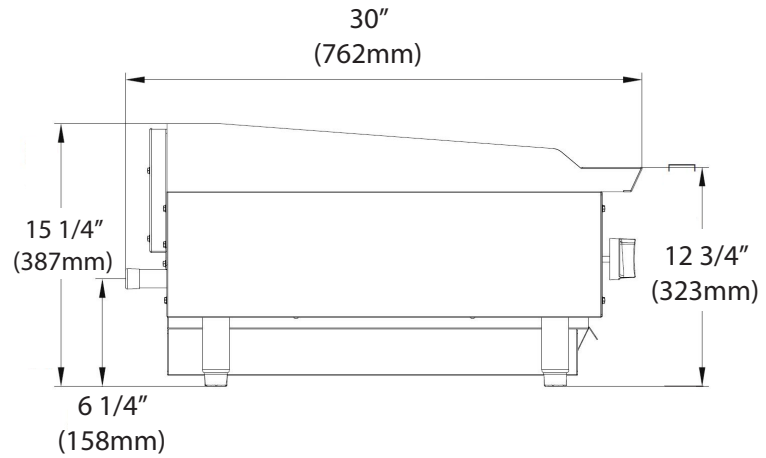


Front View



Top View

BLGM48-20D	
GAS	NG/Propane
WORK AREA	47.86" x 20.50"
BURNERS	4
BTU/H PER BUNER	30,000
TOTAL BTU	120,000
GAS PRESSURE	NG: 4 "WC Propane: 10 "WC
NOZZLE	NG: 37# Propane: 51#
CONTAINER FITMENT	115



Side View

Model	Packaging Dimensions (inches)			Net Weight (lbs)	Ship Weight (lbs)
	W	D	H		
BLGM48-20D	50 1/4"	32 5/8"	20 1/2"	327	366