



Tap Industries

PROJECT _____

ITEM NO: _____

QUANTITY: _____

Twist Handle Lever Waste Drain

FEATURES & CONSTRUCTION:

- Twist level handle
- Fits 3-1/2" opening
- Overflow connection with sealing cap
- Removable stainless steel strainer
- 2" male and 1-1/2" female NPT drain outlets
- Plumbing adapter included (1) 1-1/2" NPT male to male and (1) 2" NPT female to 1-1/2" NPT male
- Full two year manufacturer warranty
- NSF listed

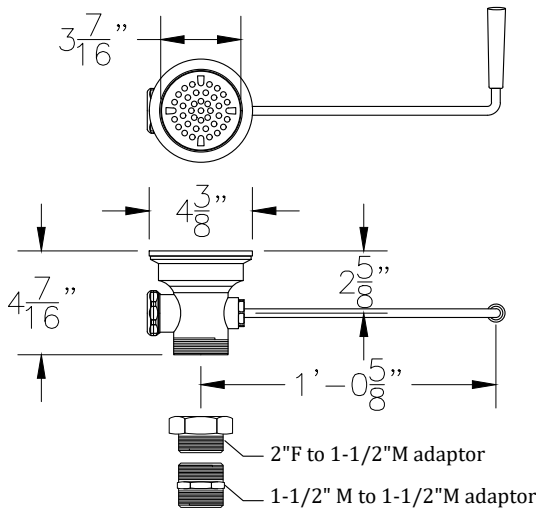


NSF STD.2
Certified

HEAVY DUTY MODEL

TTLD-35

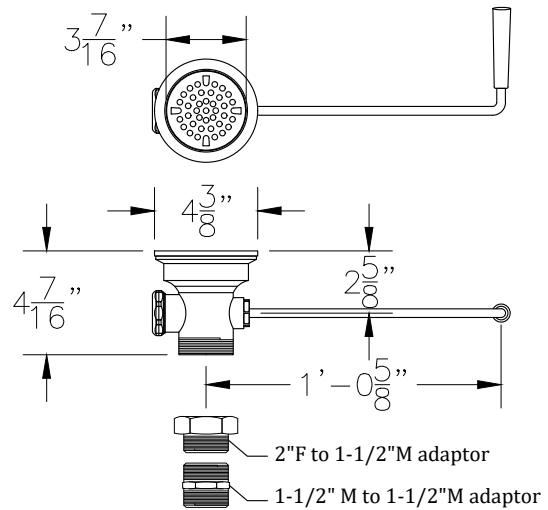
Chrome Plated Brass Body



ECONOMY MODEL

TTLD-35E

ABS Plastic Body



TAP INDUSTRIES
Tel: 718-543-2111
Fax: 718-543-2121

Rev. 10/20

info@TapInds.com