



Model: \_\_\_\_\_ Item #: \_\_\_\_\_ Date: \_\_\_\_\_

Project: \_\_\_\_\_ Qty: \_\_\_\_\_ Approved By: \_\_\_\_\_

## 8" Center Raised Deck Mount Faucet with 18" Swing Spout

Diamond Series Plumbing



| Model  | Description   |
|--------|---|
| DX-918 | Diamond Series 8" Center Raised Deck Mount Faucet, 18" Swing Spout, Ultra-Polish Satin Finish, 1.75 GPM Aerator Installed |

### Product Compliance

- NSF-61 & NSF/ANSI 372
- ASME A112.18.1-2011/CSA B125.1-11 & NSF/ANSI 372

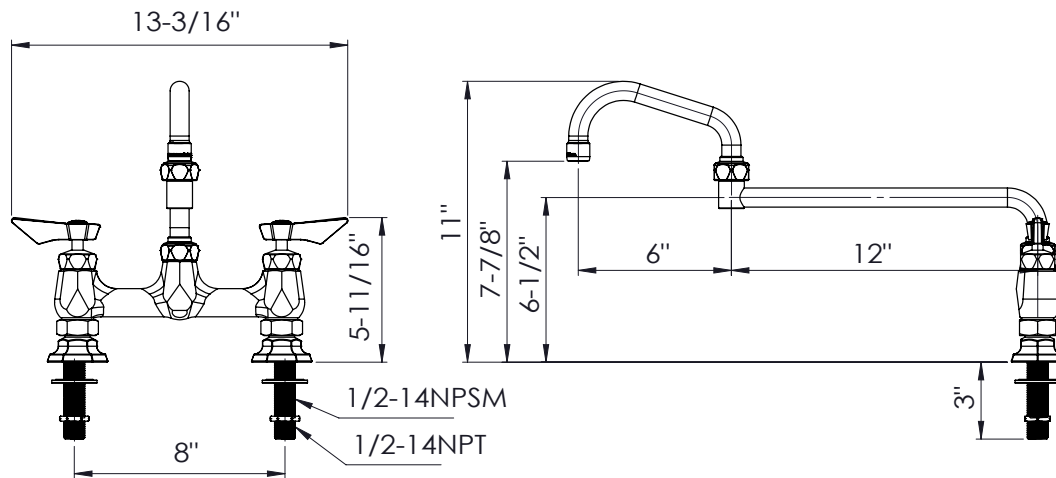


### Standard Features

- Ultra-polish satin finish on solid brass base
- 1/4 turn high-performance stainless steel ceramic cartridge valves with integral check
- Heavy duty flanges with eccentric fittings and flange seal technology
- Durable full range swing spout with double o-ring construction
- Lever handles
- Mounting kit and E-Z install flexible water lines included
- Lifetime warranty

### Specifications

|                |                           |
|----------------|---------------------------|
| Water Inlet    | 1/2" NPS Male             |
| Mounting Style | Raised Deck Mount         |
| Centers        | 8" Center                 |
| Rough In       | 7/8" Round Holes          |
| Spout          | 18" Swing Spout           |
| Temp. Range    | 40°F - 180°F              |
| Pressure       | 20 -125 PSI               |
| Flow Rate      | 1.75 GPM                  |
| Material       | Solid Brass               |
| Finish         | Ultra-Polish Satin Finish |
| Weight         | 8 lbs.                    |



#### WARNING:

Plumbing connections should be made by qualified personnel who will observe all applicable plumbing, sanitary and safety codes.

#### California Prop 65 Warning:

This product can expose you to chemicals including lead and lead compounds, which are known to the State of California to cause cancer and birth defects or other reproductive harm. For more information go to [www.P65Warnings.ca.gov](http://www.P65Warnings.ca.gov).