

SHALLOW DEPTH BASE UNDERCOUNTER FREEZER

Model: FA43SN-U

Natural Refrigerant R-290 Model

43" Shallow Depth Base Undercounter Freezer with Solid Doors

Heavy gauge #300 series stainless steel top, stainless steel front and end panels, galvanized steel rear and grills and aluminum interior.



Options and Accessories

(upcharge and lead times may apply)

| | |
|--|--|
| Stainless steel interior | Condensing unit left (standard on right) |
| Stainless steel back | Door Locks |
| Additional epoxy coated steel shelves | Stainless Steel Shelves |
| Drawer in lieu of door section above the condensing unit** | |
| Drawers in lieu of doors (consult factory)* | |

Consult factory for other model configurations, options and accessories.

*Drawer section above condensing unit holds (4) 1/6 pans

**Two tier (larger section): (1) 12 x 20 x 6 pan per drawer

Continental
Refrigerator



Project Name:

Model Specified:

Location:

Item No:

Quantity:

AIA #:

SIS #:

Standard Model Features

REFRIGERATION SYSTEM

Performance rated refrigeration system

Natural, environmentally safe, high efficiency R-290 refrigerant¹

Unique forced air design utilizes fans (approx. every 12") across the entire back of unit for even distribution of cold

Automatic, hot gas condensate evaporator

Non-corrosive, plasticized fin evaporator coil

Easily serviceable, slide out condensing unit

Expansion valve system

CABINET ARCHITECTURE

2" non-CFC polyurethane foam insulation

Smooth, polished chrome door handles

Spring loaded, self closing doors

Magnetic snap in Santoprene™ door gaskets

Heavy duty, epoxy coated steel shelves

Completely enclosed, vented, and removable rear and side grills

1 3/8" diameter plate casters mounted on heavy duty support plates (easily field installed)

MODEL FEATURES

Refrigerated section with door above the condensing unit

Front breather air divider (field installed)

Electronic control, automatic electric defrost

Field rehingeable doors

¹ R-290 refrigerant meets all federal and state regulatory requirements.

NOTE: Models come standard with a door above the condensing unit. A drawer above the condensing unit is an option.

APPROVAL:

Model Specifications

DIMENSIONAL DATA

| | |
|--|-----------------|
| Net Capacity (cubic feet) | 9.6 (272 cu l) |
| Width, Overall (inches) | 43 (1097mm) |
| Depth, Overall (inches) (including handles & bumpers) | 31 (787 mm) |
| Height, Overall (inches) (including 1 3/8" casters) | 32 (806 mm) |
| Shelf Area (square feet) | 4.5 (0.42 sq m) |
| Number of Shelves | 2 |
| Number of Full Doors | 1 |
| Number of Half Doors | 1 |
| Interior Depth (inches) | 24 (610 mm) |
| Interior Height (inches) | 26 (660 mm) |
| Interior Height (inches) (above condenser) | 12 1/2 (318 mm) |

REFRIGERANT DATA

| | |
|-----------------------------|------|
| Condensing Unit Size (H.P.) | 1/3+ |
| Capacity (BTU per hour)* | 1340 |

ELECTRICAL DATA

| | |
|--|---------------------|
| Voltage (International) | 115/60/1 (220/50/1) |
| Total Amps (International) | 4.3 (2.7) |
| Defrost Amps (International) | 6.4 (3.4) |
| 10 ft. Cord/Plug [attached] (International) | Yes (No) |

SHIPPING DATA

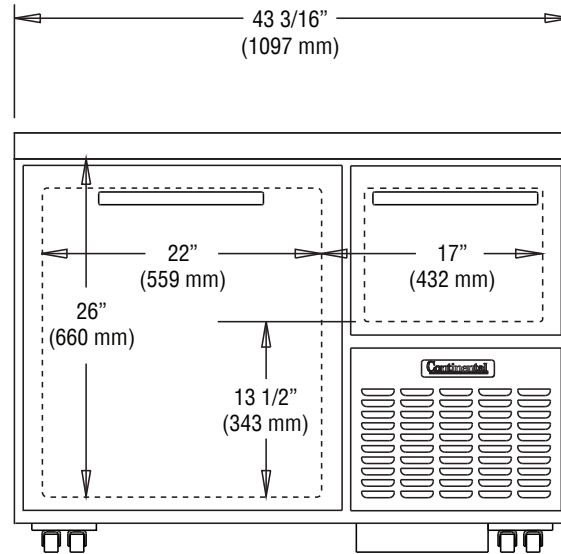
| | |
|--------------------------|------------------|
| Weight (pounds) | 270 (123 kg) |
| Height - Crated (inches) | 43 3/4 (1111 mm) |
| Width - Crated (inches) | 45 (1143 mm) |
| Depth - Crated (inches) | 47 (1194 mm) |

* Rating @ -15°F evaporator, 90°F ambient
 Figures in parentheses reflect metric equivalents rounded to the nearest whole unit.

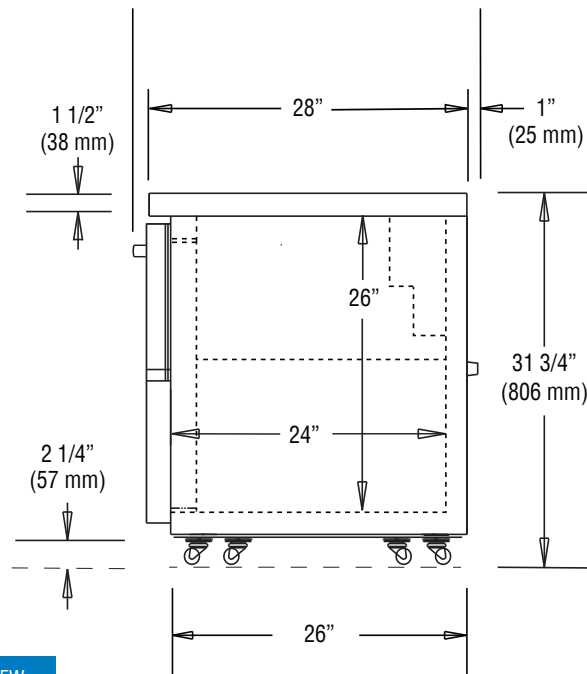


Equipped with one NEMA-5-15P Plug
 (varies by country)

Model Plan Views



FRONT VIEW



SIDE VIEW

Continental
 Refrigerator

Toll-Free: 800-523-7138
 Phone: 215-244-1400
 Fax: 215-244-9579

539 Dunkserry Road
 Bensalem, PA 19020
www.continentalrefrigerator.com

Due to our continued efforts in developing innovative products, specifications subject to change without notice.



PROUDLY
 DESIGNED & ASSEMBLED
 IN THE U.S.A.

Intertek

© Copyright 2021. Continental Refrigerator.
 A Division of National Refrigeration & Air Conditioning Products, Inc.

REVISED: 1/11/24