



Profit from the Eagle Advantage®

# Specification Sheet

## Short Form Specifications

Eagle Rice Cooker Table, model \_\_\_\_\_. Top is 16 gauge type 430 stainless steel with all edges turned down 90°. Cutout in top for rice cooker. Two adjustable undershelves—available in galvanized or stainless steel. 1½" O.D. galvanized tubular legs with high impact plastic feet.



rice cooker table



shown with rice cooker  
(not sold by Eagle)

Item No.:	_____
Project No.:	_____
S.I.S. No.:	_____

## Rice Cooker Tables

### MODELS:

- T3224RCB
- T3424RCB
- T3224RCSB
- T3424RCSB

### Design and Construction Features

- 16 gauge type 430 stainless steel tabletop, with edges turned down at 90° on all four sides and with cutout for rice cooker.
- Heavy duty zinc-plated gussets.
- Available with 1½" (41mm)-diameter galvanized or stainless steel legs.
- Adjustable high-impact plastic feet.
- Available with either adjustable 18 gauge galvanized or stainless steel undershelves.
- Accommodates most popular brand cookers.

**EAGLE GROUP**  
100 Industrial Boulevard, Clayton, DE 19938-8903 USA  
Phone: 302-653-3000 • Fax: 302-653-2065  
www.eaglegrp.com

**Foodservice Division: Phone 800-441-8440**  
**MHC/Retail Display Divisions: Phone 800-637-5100**

For custom configuration or fabrication needs, contact our **SpecFAB® Division**.  
Phone: 302-653-3000 • Fax: 302-653-2065 • e-mail: quotes@eaglegrp.com



**AUTOQUOTES**

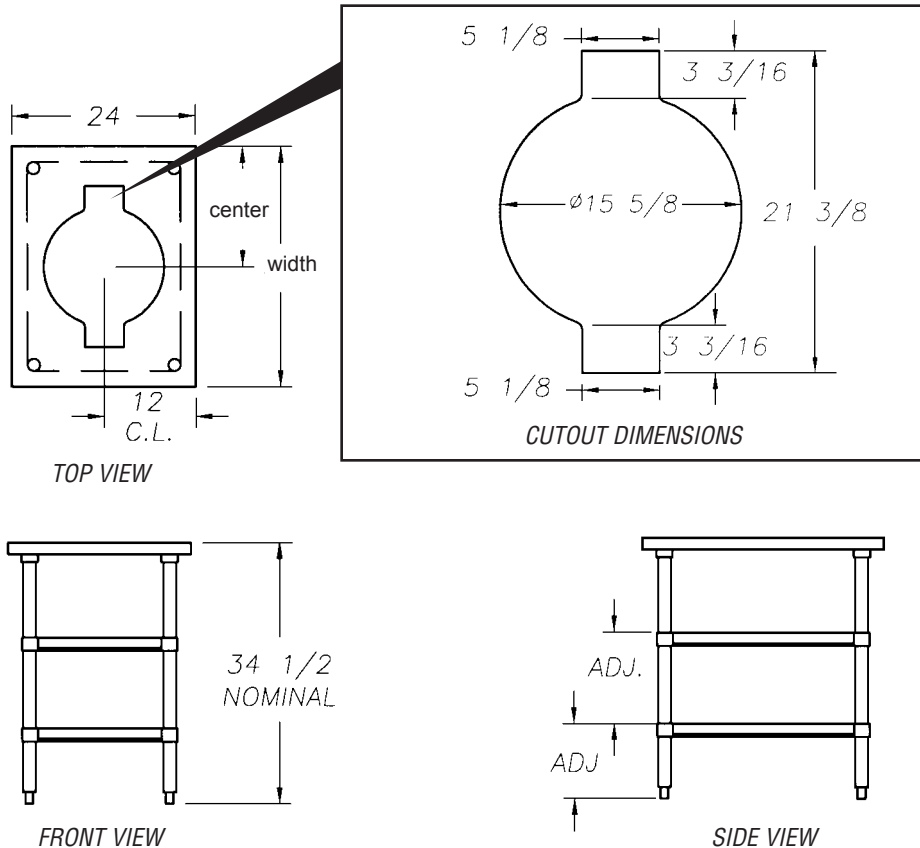




Profit from the Eagle Advantage®

Item No.: \_\_\_\_\_  
 Project No.: \_\_\_\_\_  
 S.I.S. No.: \_\_\_\_\_

## Rice Cooker Tables



### Tables with Galvanized Legs and Undershef

model #	width		length		weight	
	in.	mm	in.	mm	lbs.	kg
<b>T3224RCB</b>	32"	813	24"	610	53	24.0
<b>T3424RCB</b>	34"	864	24"	610	56	25.4

### Tables with Stainless Steel Legs and Undershef

model #	width		length		weight	
	in.	mm	in.	mm	lbs.	kg
<b>T3224RCSB</b>	32"	813	24"	610	53	24.0
<b>T3424RCSB</b>	34"	864	24"	610	56	25.4

**EAGLE GROUP**  
 100 Industrial Boulevard, Clayton, DE 19938-8903 USA  
 Phone: 302-653-3000 • Fax: 302-653-2065  
 www.eaglegrp.com

Foodservice Division: Phone 800-441-8440  
 MHC/Retail Display Divisions: Phone 800-637-5100

Printed in U.S.A.  
 ©2014 by Eagle Group  
 Rev. 04/14

Spec sheets available for viewing, printing or downloading from our online literature library at [www.eaglegrp.com](http://www.eaglegrp.com)

Although every attempt has been made to ensure the accuracy of the information provided, we cannot be held responsible for typographical or printing errors. Information and specifications are subject to change without notice. Please confirm at time of order.