

DESIGNER LINE WARMER

Model: **DL2W-PT**

Designer Line

2-Section Pass-Thru Warmer

DL2W-PT - Stainless steel front, aluminum end panels and interior
DL2W-PT-SA - Stainless steel exterior, aluminum interior
DL2W-PT-SS - Stainless steel exterior and interior



Options and Accessories

Consult factory for other model configurations, options and accessories.

Continental
Refrigerator



Project Name:

Model Specified:

Location:

Item No:

Quantity:

AIA #:

SIS #:

Standard Model Features

HEATING SYSTEM

Self contained, performance rated heating system
90°F to 180°F temperature range
Top mounted heating plenum "plug" with circulating fan
Unique air flow distribution ducts

CABINET ARCHITECTURE

3" non-CFC polyurethane foam insulation
Smooth, polished chrome workflow door handles
Cam action, lift off hinges
Self-closing doors
Magnetic snap in Santoprene™ door gaskets
Cylinder lock in each door
Heavy duty, chrome plated steel shelves
Heavy duty pilaster strips
Adjustable 6" stainless steel legs

MODEL FEATURES

Automatic interior lighting
Electronic controller with digital display & hi-low alarm
Stainless steel strip heaters located in base of interior

APPROVAL:

Model Specifications

DIMENSIONAL DATA

| | |
|---|------------------|
| Net Capacity (cubic feet) | 50 (1416 cu l) |
| Width, Overall (inches) | 52 (1321 mm) |
| Depth, Overall (inches) (including handles) | 35 3/8 (899 mm) |
| Depth (inches) (less doors) | 32 (813 mm) |
| Depth (inches) (doors open 90°) | 55 1/2 (1410 mm) |
| Clear Door Width (inches) | 19 3/8 (492 mm) |
| Clear Door Height (inches) | 58 5/8 (1489 mm) |
| Height, Overall (inches) (including 6" legs) | 83 1/4 (2115 mm) |
| Number of Doors | 4 |
| Number of Shelves | 6 |
| Shelf Area (square feet) | 40.8 (3.8 sq m) |
| Tray Slide Capacity (per section) | 19 |

ELECTRICAL DATA

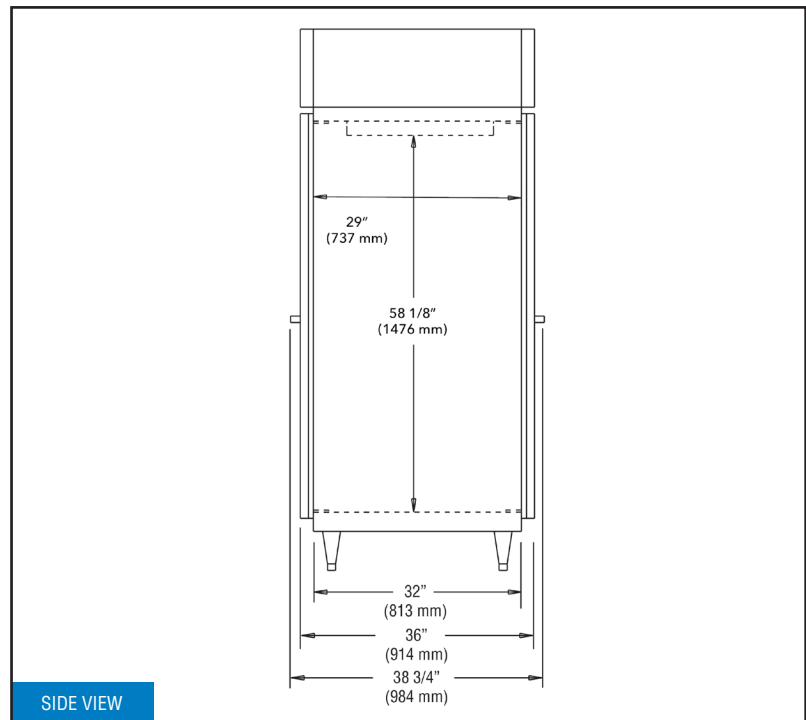
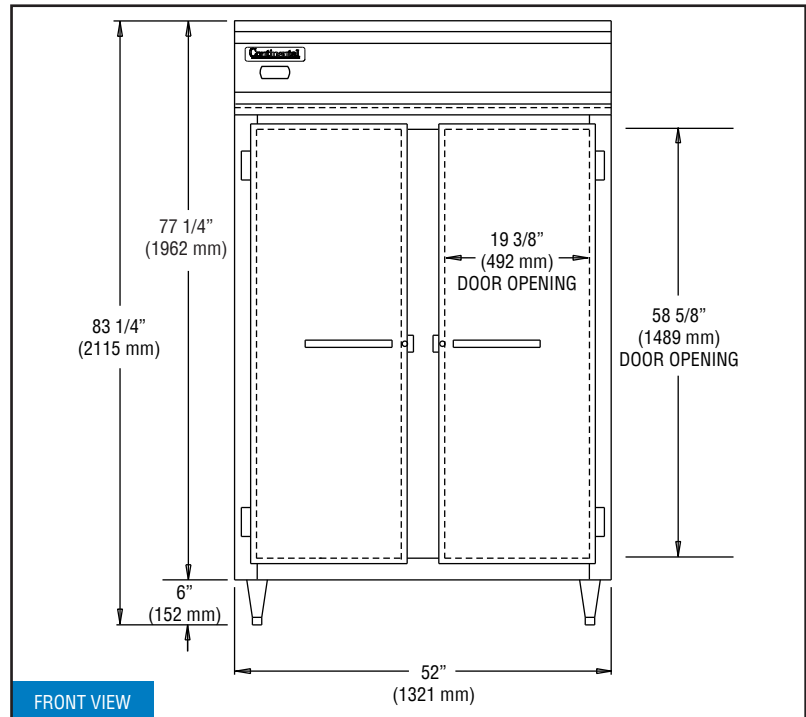
| | |
|----------------------------------|--------------|
| Voltage | 208-230/60/1 |
| Feed Wires (including ground) | 3 |
| Total Amps (International) | 10.6 (10.6) |
| Total Wattage @ 208-230 volts | 2250 |
| 10 ft. Cord/Plug (International) | No (No) |

SHIPPING DATA

| | |
|------------------------------|------------------|
| Height - Crated (inches) | 85 1/2 (2172 mm) |
| Width - Crated (inches) | 64 (1626 mm) |
| Depth - Crated (inches) | 42 (1067 mm) |
| Volume - Crated (cubic feet) | 133 (3766 cu l) |
| Weight Std - Crated (pounds) | 433 (196 kg) |
| Weight SS - Crated (pounds) | 455 (206 kg) |

Figures in parentheses reflect metric equivalents rounded to the nearest whole unit.

Model Plan Views



IMPORTANT NOTE: If the cabinet is located directly against a wall and/or under a low ceiling, a minimum clearance of 12" is required on top and 3" on sides and rear.



Toll-Free: 800-523-7138
Phone: 215-244-1400
Fax: 215-244-9579

539 Dunksferry Road
Bensalem, PA 19020
www.continentalrefrigerator.com

Due to our continued efforts in developing innovative products, specifications subject to change without notice.



PROUDLY
DESIGNED & ASSEMBLED
IN THE U.S.A.