

# PIZZA PREPARATION TABLE

## Model: PA68N-D

Natural Refrigerant R-290 Model

### 68" Pizza Preparation Refrigerator with Drawers and Half Door

Heavy gauge #300 series stainless steel top, stainless steel front and end panels, aluminum interior.



## Options and Accessories

(upcharge and lead times may apply)

Stainless steel interior	Vision panel lid
Stainless steel back	Door/drawer locks
Overshelves (single or double)	Adjustable legs
Condensing unit on left (standard on right)	Front breathing
Drawer in lieu of half door above the condensing unit*	Special electrical requirements (consult factory)
Wire rod garnish rack	

\*Drawer section above condensing unit holds (1) 12 x 20 x 6 pan  
Consult factory for other model configurations, options and accessories.

Project Name:

Model Specified:

Location:

Item No:

Quantity:

AIA #:

SIS #:

## Standard Model Features

### REFRIGERATION SYSTEM

Performance rated refrigeration system

Natural, environmentally safe, high efficiency R-290 refrigerant<sup>1</sup>

Unique forced air design utilizes fans (approx. every 12") across the entire back of unit for even distribution of cold

Automatic, hot gas condensate evaporator

Non-corrosive, plasticized fin evaporator coil

Easily serviceable, slide out condensing unit

Expansion valve system

### CABINET ARCHITECTURE

2" non-CFC polyurethane foam insulation

Smooth, polished chrome door/drawer handles

Spring loaded, self closing door (above condensing unit)

Magnetic snap in Santoprene™ door/drawer gaskets

Stainless steel roll out drawers

19" deep, full length nylon cutting board

Insulated lids (with heavy duty hinge pins)

(8) pan top divider bars\*

5" casters

\* Pans supplied by others

### MODEL FEATURES

Reversing condenser fan<sup>2</sup>

Ergonomically-friendly raised angle rail

Electronic control, off-cycle defrost

Refrigerated section with door above the condensing unit

Field rehingeable door (above condensing unit)

<sup>1</sup> R-290 refrigerant meets all federal and state regulatory requirements.  
<sup>2</sup> Fan runs in reverse for short period on startup to blow away any debris.

**NOTE:** Models come standard with a door above the condensing unit. A drawer above the condensing unit is an option.

**Continental**<sup>®</sup>  
Refrigerator



APPROVAL:

## Model Specifications

### DIMENSIONAL DATA

Net Capacity (cubic feet)	22 (623 cu l)
Width, Overall (inches)	68 (1727 mm)
Depth, Overall (inches) (including cutting board & bumpers)	38 3/4 (972 mm)
Height, Overall (inches) (including 5" casters)	39 (989 mm)
Depth, Cutting Board (inches)	19 (483 mm)
Number of Drawers	4
Number of Half Doors	1
Interior Height (inches) (above condenser)	12 1/2 (318 mm)

### PAN TOP

Divider Bars (supplied with model)	(8) CM1-0111
Pan Capacity (pans supplied by others)	(9) 1/3

### REFRIGERANT DATA

Condensing Unit Size (H.P.)	1/3+
Capacity (BTU per hour)*	4220

### ELECTRICAL DATA

Voltage (International)	115/60/1 (220/50/1)
Total Amps (International)	7.4 (5.3)
10 ft. Cord/Plug [attached] (International)	Yes (No)

### SHIPPING DATA

Weight (pounds)	608 (276 kg)
Height - Crated (inches)	43 3/4 (1111 mm)
Width - Crated (inches)	70 (1778 mm)
Depth - Crated (inches)	47 (1194 mm)

### DRAWER PAN CONFIGURATIONS

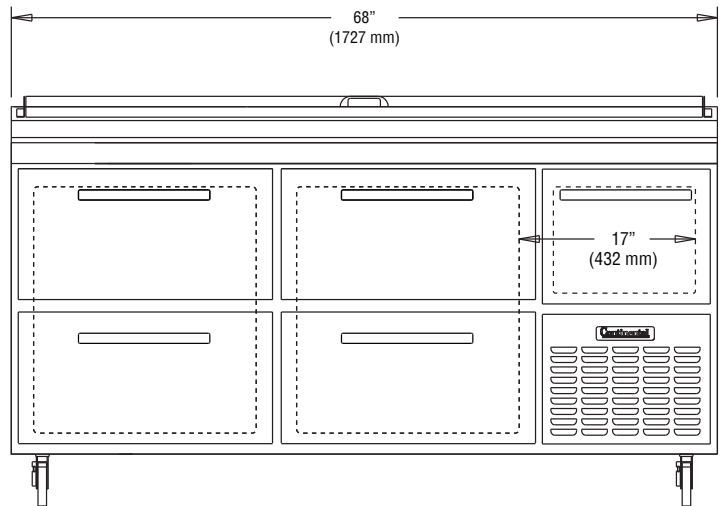
**Two Tier:** (2) 12 x 20 x 6 pans per drawer

\* Rating @ +25°F evaporator, 90°F ambient  
Figures in parentheses reflect metric equivalents rounded to the nearest whole unit.

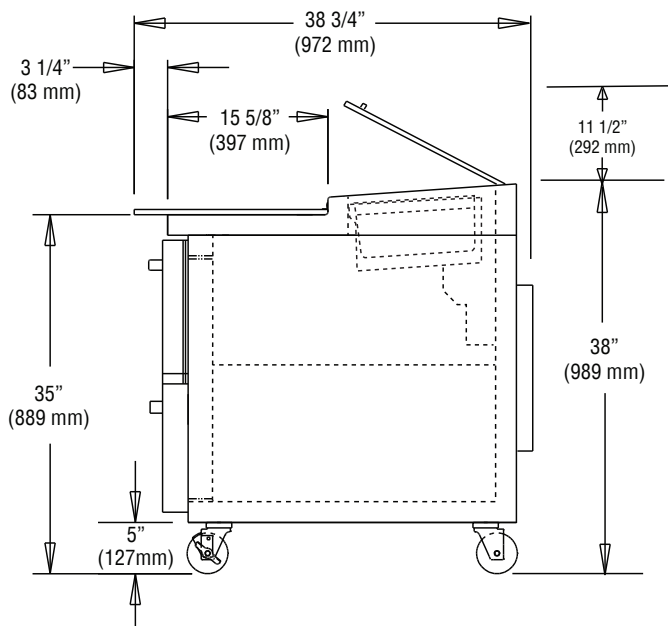


Equipped with one NEMA-5-15P Plug  
(varies by country)

## Model Plan Views



FRONT VIEW



SIDE VIEW

**IMPORTANT NOTE:** If the cabinet is located directly against a wall, a minimum clearance of 3" is required on sides, front and rear.

**Continental**  
Refrigerator

Toll-Free: 800-523-7138  
Phone: 215-244-1400  
Fax: 215-244-9579

539 Dunksferry Road  
Bensalem, PA 19020  
[www.continentalrefrigerator.com](http://www.continentalrefrigerator.com)

Due to our continued efforts in developing innovative products, specifications subject to change without notice.



PROUDLY  
DESIGNED & ASSEMBLED  
IN THE U.S.A.

Intertek

© Copyright 2021. Continental Refrigerator.  
A Division of National Refrigeration & Air Conditioning Products, Inc.

REVISED: 1/29/24