

*Blueair by*  
**BLUENIX**

**MODEL BNB-60BT-HC**  
**NARROW BACK BAR**



**Stainless steel cabinet construction**

Stainless steel top with black vinyl coated steel walled exterior. Interior is galvanized steel with stainless steel floor..



**Temperature range between 33°F ~ 39°F**

Air guard on rear wall ensures proper air circulation and cooling.



**Hydrocarbon refrigerants (R-290)**

Increases energy HFC refrigerants. It is safer for the environment and does not cause ozone depletion.



**Exterior Dimensions**  
(inches/mm)

L	D	H
60 1/4"	23 7/8"	35 3/8"
1530 mm	608 mm	900 mm

**Weight**  
(lbs/kg)

<b>Net Weight</b>	<b>Ship Weight</b>
212 lbs	231 lbs
96 kg	104kg



Conforms to NSF/ANSI 7(ETL)

**Cabinet construction**

- High density foamed in place polyurethane insulation – Environmentally safe.
- Two (2) adjustable shelves per section
- Interior height allows stacking of three "tall boy" beers
- 24" narrow depth

**Refrigeration**

- Front breathing, side mounted compressor unit. Compressor configuration allows unit to be efficient in narrow spaces and be serviced without being moved.
- Epoxy coated evaporator reduces potential corrosion
- Innovative hot gas frame heating system reduces condensation and increases energy efficiency.
- Automatic defrosting

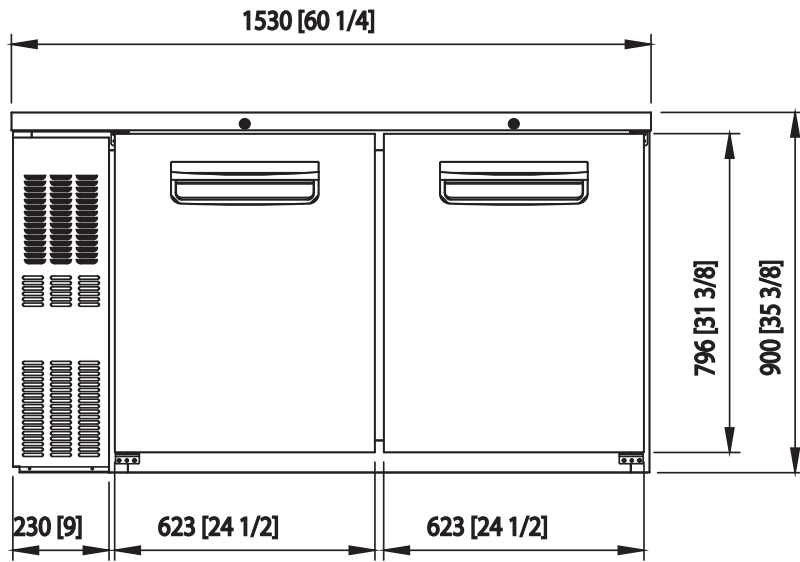
**Doors**

- Black recessed door handles
- Durable gasket with easy replacement.
- Standard door locks

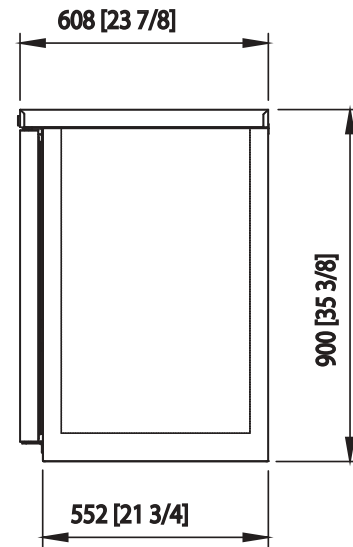
**Optional Features & Accessories**

- 6" legs available
- 4" caster available

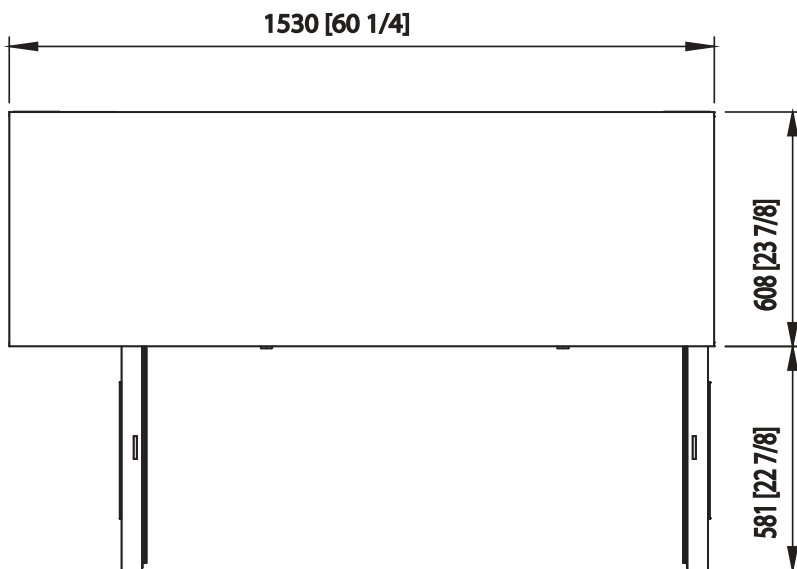
Front view



Side view



Top view



Doors	2
Capacity Cu.Ft.	15.6
Shelves	4
Refrigerant	R-290
Temperature Range	33°F ~ 39°F
Easy Maintenance	Sliding Condensing Unit
Connection	9.8 ft long (3m) flexible three wire cord with modeled plug
HP	3/8
Voltage	115V/60Hz
Amps	3.5
NEMA Config.	NEMA 5-15
Lighting	Interior LED lighting



- This product may expose you to chemicals including Diisononyl Phthalate(DINP), which is known to the State of California to cause cancer. For more information go to [www.P65Warnings.ca.gov](http://www.P65Warnings.ca.gov).  
 - Ce produit peut vous exposer à des agents chimiques incluant le Diisononyl Phthalate(DINP), reconnu par l'Etat de Californie comme causant le cancer, Pour de plus amples renseignements, consulter le site [www.P65Warnings.ca.gov](http://www.P65Warnings.ca.gov).

Blue Air has right to change specifications without further notice.

**Blueair by**  
**BLUENIX**



[blueairfse.com](http://blueairfse.com)



[orders@blueairfse.com](mailto:orders@blueairfse.com)



223 W. Rosecrans Ave., CA 90248  
T: 310-808-0102

9 W. Shelton Terrace #A, Hillside, NJ 07205  
T: 470-625-0182

7025 Amwiler industrial Drive, Suite A, Atlanta GA  
T: 908-688-0970