



**GAS**

SPEC SERIES | ADD-A-UNIT MODULAR MODELS

**IMPERIAL**



**IHR-4-M**

Model Numbers

- |              |              |
|--------------|--------------|
| IHR-2-12-M   | IHR-2-18-M   |
| IHR-4-M      | IHR-1HT-12-M |
| IHR-1HT-18-M | IHR-2HT-24-M |
| IHR-G12-M    | IHR-G18-M    |
| IHR-G24-M    | IHR-GT12-M   |
| IHR-GT18-M   | IHR-GT24-M   |

### ADD-A-UNITS

- Both floor model (-XB) and modular/countertop (-M) styles are available
- 12", 18", 24" (305, 457, 610 mm) wide models are available
- Common front landing ledges are available as an option with both styles to create a seamless line-up
- Floor model has an open cabinet base. Modular units are features on separate specification sheet

### OPEN BURNERS

- Anti-clogging burner
- 35,000 BTU/hr (10 KW) output with 7,000 BTU/hr low simmer feature.
- One piece Venturi base has no gaskets. Venturi slopes down to the burner creating more efficient heating
- Cast-Iron burners remove and separate for cleaning
- All stainless-steel tubing and solid brass components for a long service life

### GRATES

- Wavy grates create more heat transfer. Heat convects in waves for continual heat-to-pan contact
- Grates measure 12" x 14" (305 x 356 mm) or 18" x 14" (457 x 356 mm) depending on model.
- Cast iron design features flame shaping center bowl for more efficient heat transfer
- Anti-Clogging shield design into the grate protects the pilot from grease and debris

### GRIDDLE TOPS

- Highly polished griddle plate provide even heat across entire surface
- "U" shaped burners have 30,000 (9 kw) BTU output, located every 12" (305mm) with one control per burner
- Aeration baffles between burners for quick recovery
- Manual or Thermostatic (GT36) controls are available
- 4" (102mm) wide grease gutter and large grease can with 1-gallon (3.8 L) capacity

### HOT TOPS

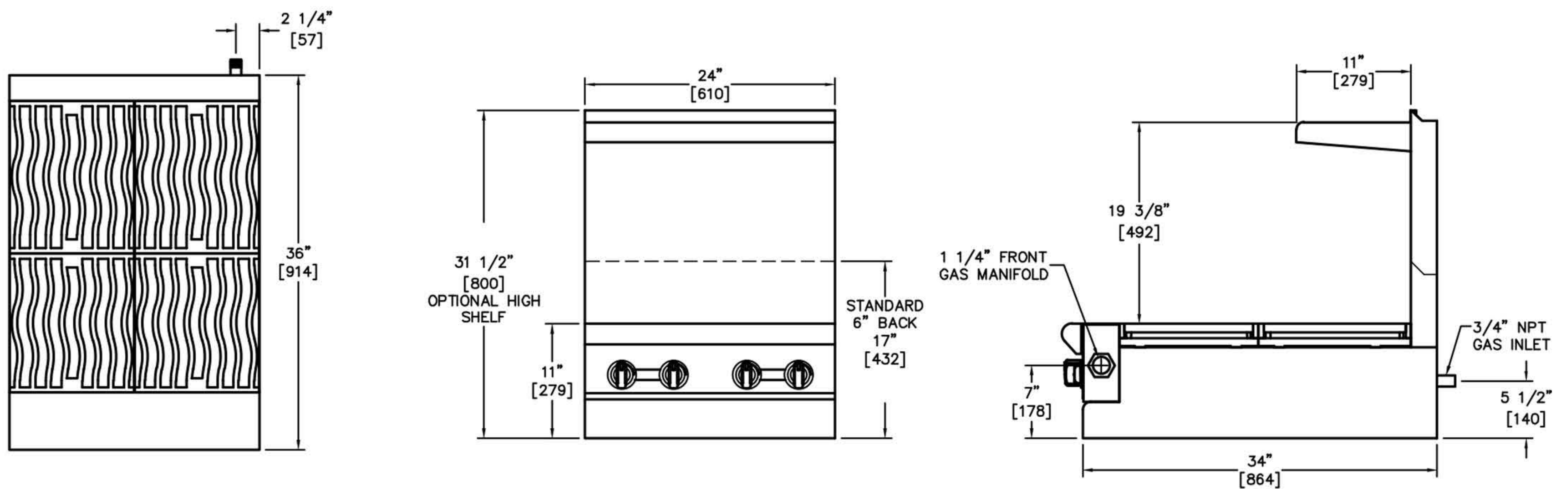
- Heavy duty, highly polished plates provide an even heat across entire hot top surface
- 12" (305mm) unit has one 12" W x 28" D (305 x 711 mm) plate, 18" has one 18" W X 28" D (457 X 711 mm) plate and 24" (610 mm) unit has two 12"W X 14" D (305 X 356 mm) is also available.
- "U" Shaped burners have 40,00(12kw) BTU output. Aeration baffles between burners speed recovery time





# GAS

## SPEC SERIES | ADD-A-UNIT MODULAR MODELS



### 35,000 BTU (10 KW) OPEN BURNERS

| MODEL      | WIDTH        | GAS OUTPUT |    | BURNERS | SHIP WEIGHT |     |
|------------|--------------|------------|----|---------|-------------|-----|
|            |              | BTU        | KW |         | KG          | LBS |
| IHR-2-12-M | 12" (305 MM) | 70,000     | 20 | 2       | 84          | 185 |
| IHR-2-18-M | 18" (457 MM) | 70,000     | 20 | 2       | 71          | 156 |
| IHR-4-24-M | 24" (610 MM) | 140,000    | 41 | 4       | 136         | 300 |

### 30,000 BTU (10 KW) AND 40,000 BTU (12 KW) HOT TOPS

| MODEL        | WIDTH        | GAS OUTPUT |    | BURNERS | SHIP WEIGHT |     |
|--------------|--------------|------------|----|---------|-------------|-----|
|              |              | BTU        | KW |         | KG          | LBS |
| IHR-1HT-12-M | 12" (305 MM) | 30,000     | 9  | 1       | 70          | 155 |
| IHR-1HT-18-M | 18" (457 MM) | 40,000     | 12 | 1       | 94          | 206 |
| IHR-2HT-24-M | 24" (610 MM) | 60,000     | 18 | 2       | 140         | 310 |

### 30,000 BTU (9 KW) GRIDDLE TOPS

| MODEL     | WIDTH        | GAS OUTPUT |    | BURNERS | SHIP WEIGHT |     |
|-----------|--------------|------------|----|---------|-------------|-----|
|           |              | BTU        | KW |         | KG          | LBS |
| IHR-G12-M | 12" (305 MM) | 30,000     | 9  | 1       | 84          | 185 |
| IHR-G18-M | 18" (457 MM) | 40,000     | 12 | 1       | 110         | 242 |
| IHR-G24-M | 24" (610 MM) | 60,000     | 18 | 2       | 138         | 305 |

### 30,000 BTU (9 KW) GRIDDLE TOPS with THERMOSTAT

| MODEL      | WIDTH        | GAS OUTPUT |    | BURNERS | SHIP WEIGHT |     |
|------------|--------------|------------|----|---------|-------------|-----|
|            |              | BTU        | KW |         | KG          | LBS |
| IHR-GT12-M | 12" (305 MM) | 30,000     | 9  | 1       | 72          | 160 |
| IHR-GT18-M | 18" (457 MM) | 40,000     | 12 | 1       | 110         | 242 |
| IHR-GT24-M | 24" (610 MM) | 60,000     | 18 | 2       | 138         | 305 |

| WIDTH        | DIMENSIONS                                     | CRATED DIMENSIONS                                  |
|--------------|--|--|
| 12" (305 MM) | 12" W X 38" D X 11" H*<br>(305 X 965 X 279 MM) | 14-1/2" W X 41" D X 17" H<br>(356 X 1041 X 432 MM) |
| 18" (457 MM) | 18" W X 38" D X 11" H*<br>(457 X 965 X 279 MM) | 20-1/2" W X 41" D X 17" H<br>(521 X 1041 X 432 MM) |
| 24" (610 MM) | 24" W X 38" D X 11" H*<br>(610 X 965 X 279 MM) | 26-1/2" W X 41" D X 17" H<br>(673 X 1041 X 432 MM) |

| MANIFOLD PRESSURE |             |               |
|-------------------|-------------|---------------|
| NATURAL GAS       | PROPANE GAS | MANIFOLD SIZE |
| 5.0" W.C.         | 10.0" W.C.  | 3/4" (19 MM)  |

### EXTERIOR

- Sleek European styling with wide radius ledge and optional high shelf
- Stainless steel front, sides, backguard, shelf, landing ledge and kick plate
- Enclosed front 1-1/4" (32 mm) manifold
- Large 7" (178 mm) stainless steel landing ledge
- Unique cast aluminum control knobs feature a heat protection grip
- Full width, removable crumb tray for easy cleaning
- One year parts and labor warranty
- 3/4" rear gas connection for single unit connection

### OPTIONS AND ACCESSORIES

- Heavy duty stainless steel backguards
- Stainless steel common front landing ledge 54", 72", 90", 108" (1372, 1829, 2286, 2743 mm)
- Stainless steel 10" (245 mm) wok ring, fits over open burner top grate
- 1-1/4" rear gas connection batteries up to 600,000 BTU (176 KW)
- Gas shut off valve, 3/4" or 1-1/4", N.P.T.
- Gas pressure regulator, 3/4" or 1-1/4", N.P.T.
- Quick disconnect and flexible gas hose, 3/4" or 1-1/4", N.P.T.
- Stainless steel equipment stands
- 6" (152 mm) casters for stainless steel stand
- Refrigerated bases 36" and 72" wide (914 and 1829 mm)

### CLEARANCE REQUIREMENTS

For use only on non-combustible surfaces. Provide 0" clearance from non-combustible surfaces and 6" (152 mm) from combustible surfaces.

