

KATANA 6 - KATANA 12 PTO - KATANA 20 W

Horizontal bowl cutters



KATANA 6



KATANA 12 PTO

- Designed for high volume production, the Katana series provides homogeneous product texture
- Continuous feed of meats, cheese, salads, dips, spreads, breads and emulsified sausage batters
- Stainless steel AISI 304 construction, for durable long life
- Cutlery grade 3-blade hub to efficiently decrease processing time for faster results, 5000 cuts per minute
- 3-blade Hub driven by powerful ventilated asynchronous motor at 1680 rpm
- Removable bowl cover, 3-blade hub and bowl without tools, for easy cleaning and thorough sanitation.
- Maximum protection against liquid infiltration on the shaft
- Rubber feet
- Bowl cover safety interlock
- Thermal overload motor protection
- ON/OFF s/steel keypad, IP 67 waterproof.
No voltage release

KATANA 12 PTO

- comes standard with PTO hub

Optional

- Triple serrated blades hub
- Triple unsharpened blades hub

Specifications

Construction:	Stainless steel body
Electrical Katana 6:	120V AC, 60Hz, single-phase, 6.8A - 1 HP
Electrical Katana 12:	120V AC, 60Hz, single-phase, 12.6A - 2 HP
Electrical Katana 20:	220V AC, 60Hz, single-phase, 7A - 3,25 HP
Plug & Cord:	Attached plug, flexible, 6' long cord. 3 wire SJT 18 AWG, NEMA 5-15 P (Katana 6) 3 wire SJT 14 AWG, NEMA 5-15 P (Katana 12)
Controls:	ON/OFF stainless steel keypad. IP 67 waterproof. No voltage release.



Certified to UL Standard 763 and NSF Standard 08
 Certified to CSA Standard C22.2



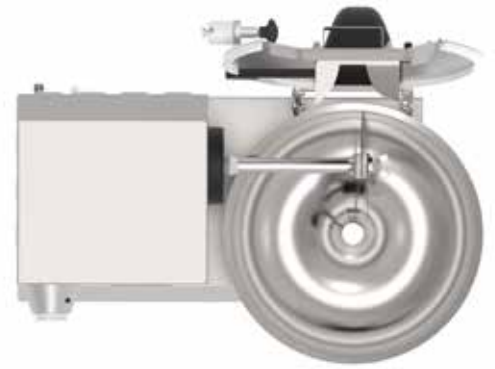
STANDARD
 Hub with 3 blades



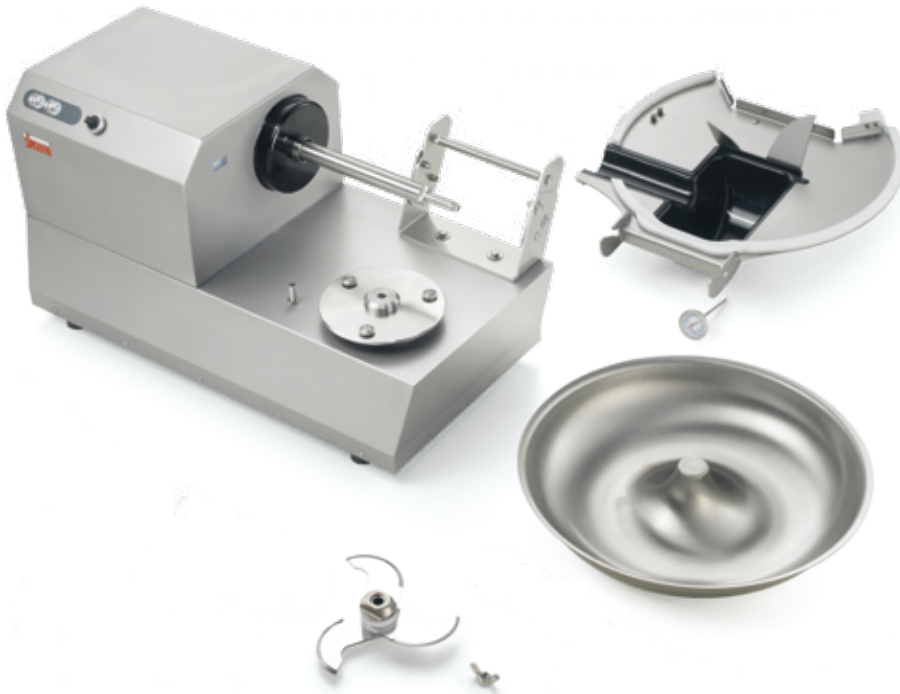
OPTIONAL
 Hub with 3 serrated blades



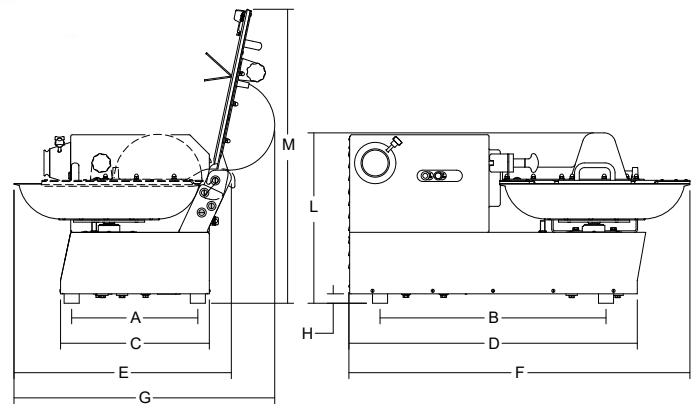
OPTIONAL
 Hub with 3 unsharpened beating blades



Optional thermometer on lid



Removable bowl cover, 3-blade hub and bowl without tools,
 for easy cleaning and thorough sanitation



	Power	Power source	Bowl capacity	3-blade hub rotation	A	B	C	D	E	F	G	H	L	M	Net weight	Shipping	Gross weight
	watt/Hp		lb	r.p.m.	inch.	inch.	inch.	inch.	inch.	inch.	inch.	inch.	inch.	inch.	lbs.	inch.	lbs.
KATANA 6	750/1	120V AC - 60HZ - 6.8A	10	1.680	11 ^{3/4} "	21 ^{1/4} "	14"	28"	20 ^{1/3} "	32 ^{3/4} "	23"	3 ^{5/8} "	18 ^{5/8} "	30"	134	32" x 48" x 34"	220
KATANA 12 PTO	1400/2	120V AC - 60HZ - 12.6A	20	1.680	13 ^{3/16} "	23 ^{5/8} "	15 ^{1/2} "	29 ^{13/16} "	23 ^{1/8} "	35 ^{1/2} "	26 ^{3/4} "	3 ^{5/8} "	20"	33 ^{1/2} "	156	32" x 48" x 34"	240
KATANA 20 VV	2387/3.25	220V AC - 60HZ - 7A +/- 10%	33	600/2.600	15 ^{23/64} "	25 ^{18/32} "	17 ^{23/32} "	32 ^{9/32} "	27 ^{3/16} "	39 ^{7/8} "	32 ^{23/64} "	3 ^{5/8} "	19 ^{51/64} "	37 ^{13/64} "	203	39 ^{3/8} " x 47 ^{1/4} " x 31 ^{1/2} "	287