

Blueair by
BLUENIX

MODEL ES30XX

Equipment Stands

High polished
430 Series
stainless steel top.



STANDARD FEATURES



High polished 430 Series stainless steel top
16 gauge heavy duty stainless steel top



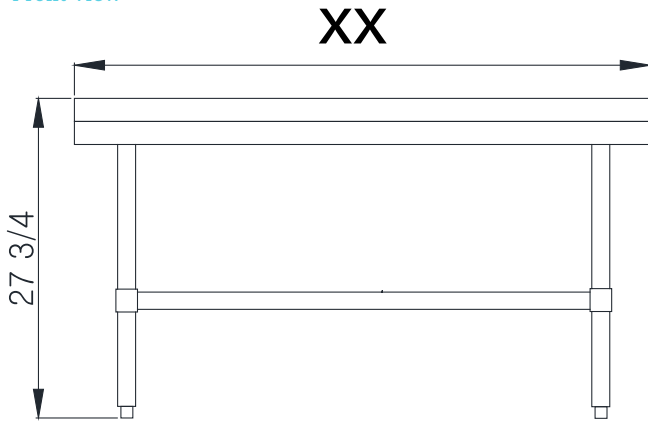
Adjustable under shelf
Enhanced Functionality.



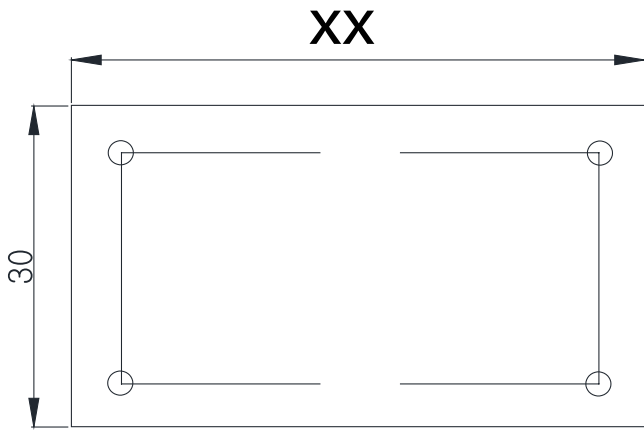
Galvanized steel Under shelf & legs with bullet feet
Built to Last with Sturdy Under Shelf & Legs, Featuring Bullet Feet.

MODEL ES30XX

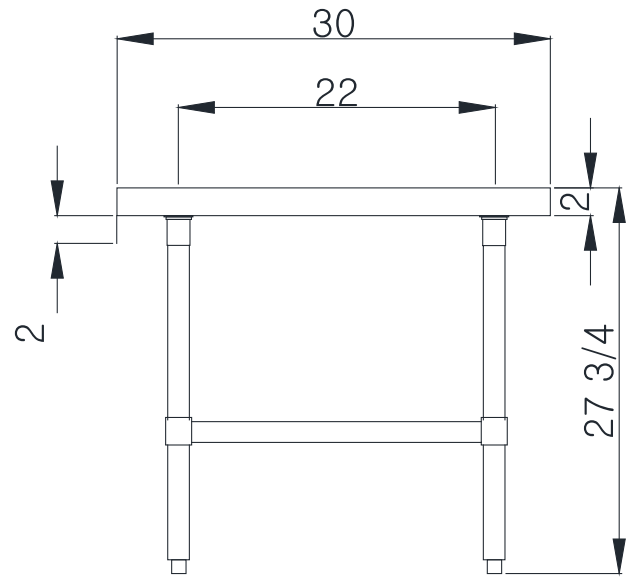
Front view



Top view



Side view



Model

Cabinet Dimensions
(inches/mm)

Weight
(lbs/kg)

Model	Cabinet Dimensions (inches/mm)			Weight (lbs/kg)	
	L	D	H	Net Weight	Ship Weight
ES3012	12" (305mm)	30" (762mm)	27 3/4" (705mm)	34(15)	37(17)
ES3024	24" (610mm)	30" (762mm)	27 3/4" (705mm)	41(19)	45(21)
ES3036	36" (915mm)	30" (762mm)	27 3/4" (705mm)	57(26)	62(28)
ES3048	48"(1220mm)	30" (762mm)	27 3/4" (705mm)	70(32)	77(35)
ES3060	60"(1524mm)	30" (762mm)	27 3/4" (705mm)	83(38)	91(42)
ES3072	72"(1829mm)	30" (762mm)	27 3/4" (705mm)	96(44)	105(48)

Blueair by
BLUENIX

BLUE AIR has right to change specifications without further notice.



blueairfse.com



orders@blueairfse.com



223 W. Rosecrans Ave., CA 90248
T: 310-808-0102

9 W. Shelton Terrace #A, Hillside, NJ 07205
T: 470-625-0182

7025 Amwiler industrial Drive, Suite A, Atlanta GA
T: 908-688-0970