



460 Southport Commerce Blvd.  
 Spartanburg SC 29306  
 Phone: 864-574-6004  
 Fax: 864-574-6005  
 www.ojedausa.com  
 sales@ojedausa.com

Project: \_\_\_\_\_  
 Model #: \_\_\_\_\_  
 Item #: \_\_\_\_\_ Qty: \_\_\_\_\_  
 Approval: \_\_\_\_\_

# REFRIGERATED DELI CASE RDCH-3



### ELECTRONIC CONTROL

The intelligent temperature control is programmed to ensure the correct operation of the equipment and maintain products at an optimum temperature.

### R-290 REFRIGERANT

Equipped with R-290 refrigerant, an eco-friendly alternative that meets the EPA's environmental impact regulations.

### LED LIGHTING

LED lighting lasts longer than fluorescent lighting, it reducing energy consumption, which generates minimal heat. All of this makes LED lighting great for the environment.

### HOT GAS EVAPORATION

Hot gas heated drain pan for condensate evaporation that eliminates the need of floor drains or electric heaters.

### OPERATING TEMPERATURE

32°F-42°F

### CUSTOM GRAPHICS

Standard color: black

Dimensions			Crated Dimensions			Shelves	HP	Voltage	NEMA config	Amps	Crated Weight		
	W	D	H		W	D	H	2	1/6	120	5-15P	4	400 lbs
(in)	37.3	35.2	50	(in)	44.1	40	58.3	Net Capacity (cf): 9.6			Energy Consumption: 4.63 kw-hr/day		
(mm)	946	894	1269	(mm)	1120	1015	1480						

\*Inches rounded up one decimal place \*Specifics may change without notification



## CABINET CONSTRUCTION

- High-density, CFC-Free, polyurethane insulation
- Curved glass
- Exterior: galvanized metal cabinet with powder coated painted surface
- Interior: easy to clean pre-painted steel
- Stainless steel bottom
- Sliding glass doors

## SHELVING

- Adjustable shelves
- 31.3" width x 15" depth (795 mm x 380 mm)
- Weight capacity per shelf 132.2 lbs

## OPERATING CONDITIONS

- The unit is best suited for an environment where temperatures remain below 75°F and humidity does not exceed 55%.
- Areas with direct sunlight should also be avoided.

## REFRIGERATION

- Maintenance free condenser
- Reverse cycle defrost system
- Hot gas heated pan for condensate evaporation
- R-290 refrigerant

## OPTIONS

- Interior mirrored ends
- Cutting board top

## WARRANTY

- 3 year parts and labor warranty
- 5 year compressor

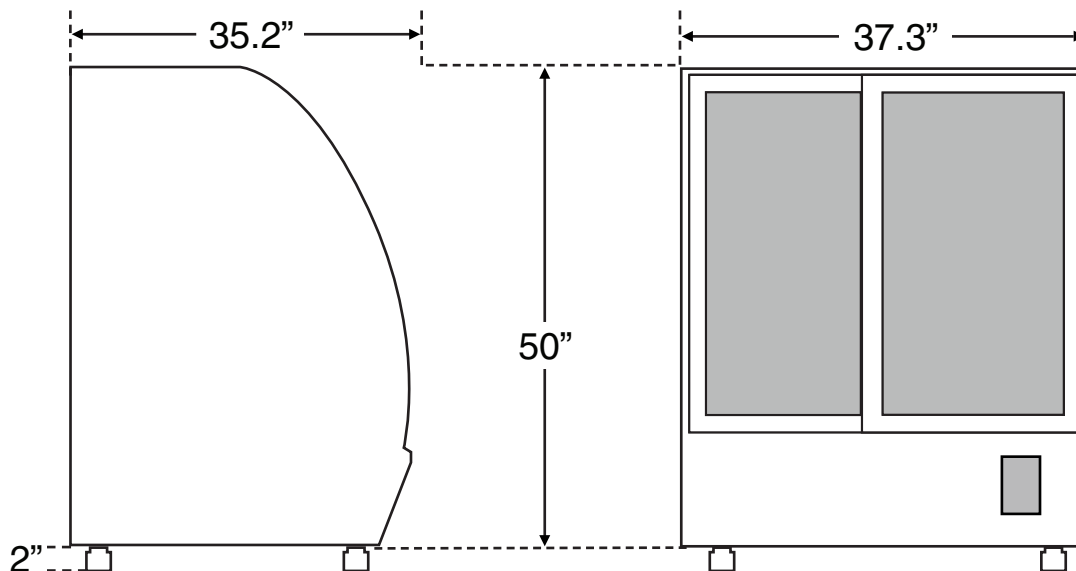
## LIGHTING

- Horizontal LED lighting
- On/off light switch

## 4 AMP ACCESSORY RECEPTACLE



## LED LIGHTING



\*Specifics may change without notification

