

# SINGLE OVERSHELF

## Product Specifications

### SOS - Single Overshelf for Bases & Pizza Prep Tables

Heavy-duty, stainless steel, tubular-style, pass-thru overshelf cantilevers to rear of Base or Pizza Prep Table models. Standard with "hat channel" under shelf for field-added components.



Shelf fixed height of 21" from worktop

Standard with "hat channel" under shelf

**NOTE:** Tubular-style overshelves are available as pass-thru shelves only.

#### MODELS

- **SOS43** 43" Models
- **SOS60** 60" Models
- **SOS68** 68" Models
- **SOS93** 93" Models

Overshelf not available on CPA118 models.

#### DIMENSIONAL DATA (ALL MODELS)

Depth (in.)	16 (406 mm)
Height, (fixed height) (in.)	21 (533 mm)

#### SOS43

Width (in.)	42 <sup>1</sup> / <sub>4</sub> (1073 mm)
Shipping Weight (lbs.)	39 (18 kg)

#### SOS60

Width (in.)	60 <sup>1</sup> / <sub>4</sub> (1530 mm)
Shipping Weight (lbs.)	45 (20 kg)

#### SOS68

Width (in.)	67 <sup>1</sup> / <sub>4</sub> (1708 mm)
Shipping Weight (lbs.)	47 (21 kg)

#### SOS93

Width (in.)	92 <sup>1</sup> / <sub>4</sub> (2343 mm)
Shipping Weight (lbs.)	60 (27 kg)

Figures in parentheses reflect metric equivalents rounded to the nearest whole millimeter.

#### MODEL FEATURES

Pass-thru shelving
Heavy-gauge stainless steel, tubular-style poles, 1 <sup>1</sup> / <sub>4</sub> " square, .083 wall, cantilever to rear of base
Heavy, 16-gauge stainless steel shelf
Fixed height of 36" from worktop
16" Deep
Standard with "hat channel" under shelf for field-added components
Pre-drilled holes for mounting a heat lamp by others

Project Name:

Model Specified:

Location:

Item No:  Quantity:

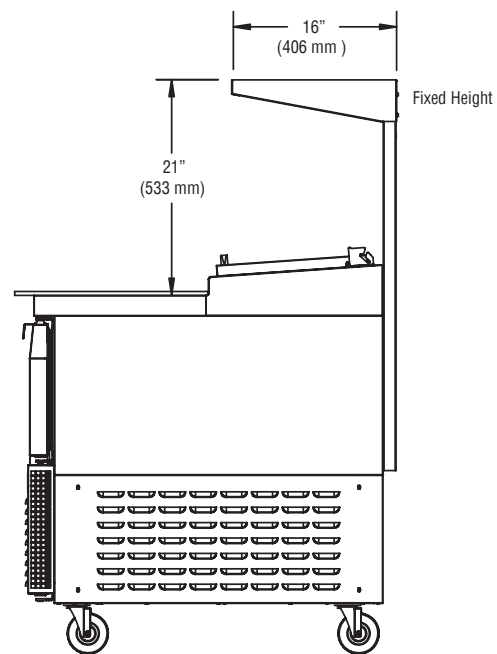
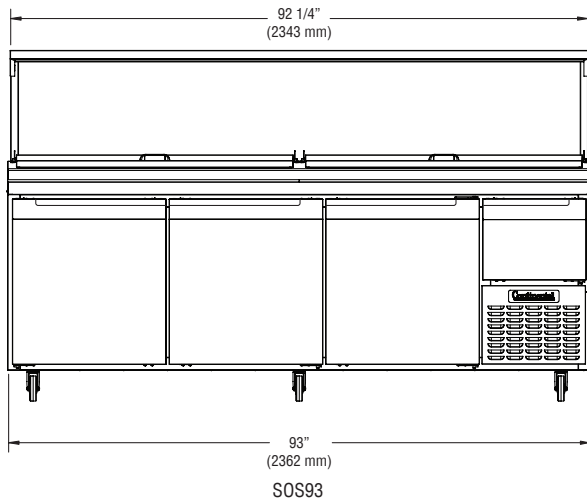
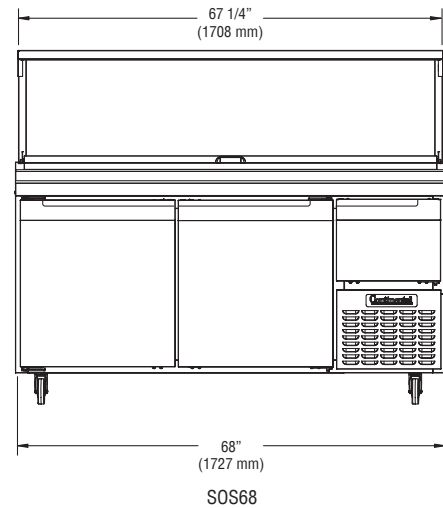
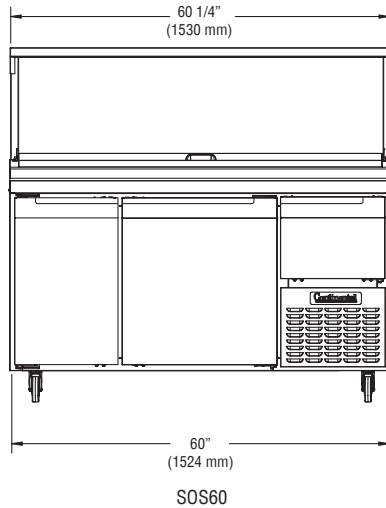
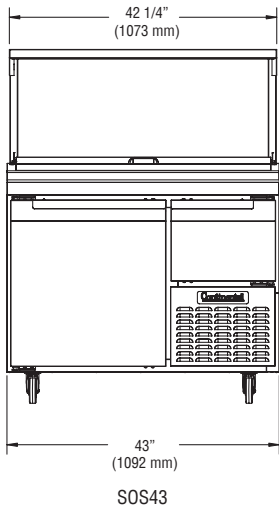
APPROVAL:



Toll-Free: 800-523-7138  
Phone: 215-244-1400  
Fax: 215-244-9579

539 Dunksferry Road  
Bensalem, PA 19020  
www.continentalrefrigerator.com

## SOS - Single Overshelf for Bases & Pizza Prep Tables



SIDE VIEW

**Continental**  
Refrigerator

Toll-Free: 800-523-7138  
Phone: 215-244-1400  
Fax: 215-244-9579

539 Dunkserry Road  
Bensalem, PA 19020  
[www.continentalrefrigerator.com](http://www.continentalrefrigerator.com)

Due to our continued efforts in developing innovative products, specifications subject to change without notice.



MADE IN THE U.S.A.

© Copyright 2013, Continental Refrigerator.  
A Division of National Refrigeration & Air Conditioning Products, Inc.