



STAINLESS STEEL

REGALINE SINKS

Three & Four Compartments without Drainboards



93 & 9 SERIES
Adjustable Side
Cross-Bracing



94 SERIES
Adjustable Side &
Front Cross-Bracing



Item #: _____ Qty #: _____

Model #: _____

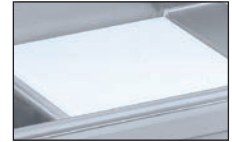
Project #: _____



93 & 9 Series Adjustable
Side Cross-Bracing



94 Series Adjustable
Side & Front Cross-Bracing



Recessed Bowl Surface
Accommodates Poly-Vance
Cutting Boards & Sink Covers

FEATURES:

- Tile edge for ease of installation.
- One piece **Deep Drawn** sink bowls with splash.
- All sink bowls have a large liberal 3" radius.
- "94" Series is supplied with adjustable front and side cross braces featuring leg clamps.
- "93" & "9" Series is supplied with adjustable side cross braces featuring leg clamps.

CONSTRUCTION:

- All TIG welded.
- Welded areas blended to match adjacent surfaces and to a satin finish.
- Gussets welded to a die-embossed reinforcing channel.

MATERIALS:

- Spec-Line (94 Series):** 14 gauge type 304 stainless steel 11" High Splash.
- Standard (93 Series):** 16 gauge type 304 stainless steel 8" High Splash.
- Super Saver (9 Series):** 18 gauge type 304 stainless steel 8" High Splash.

- LEGS:**
- 1 5/8" diameter tubular stainless steel.
 - Stainless steel gussets.
 - Stainless Steel 1" adjustable bullet feet.

YES! It's SeaLess!

Bowl Size	O.A. Length	# of Comp.	SPEC-LINE 94 Series		STANDARD 93 Series		SUPER SAVER 9 Series		Cu. Ft.
			Model #	WT.	Model #	WT.	Model #	WT.	
16" x 20"	64"	Three	14 Ga. 304 S/S 14" Water Level		16 Ga. 304 S/S 12" Water Level		18 Ga. 304 S/S 12" Water Level		
	†83"	Four	94-3-54	142 lbs.	93-3-54	107 lbs.	9-3-54	95 lbs.	28
			94-4-72	225 lbs.	93-4-72	176 lbs.	9-4-72	155 lbs.	44
20" x 20"	76"	Three	94-23-60	232 lbs.	93-23-60	188 lbs.	9-23-60	169 lbs.	44
	†99"	Four	94-24-80	285 lbs.	93-24-80	210 lbs.	9-24-80	192 lbs.	56
24" x 24"	†88"	Three	94-43-72	252 lbs.	93-43-72	213 lbs.	9-43-72	200 lbs.	56
	†115"	Four	94-44-96	347 lbs.	93-44-96	302 lbs.	9-44-96	281 lbs.	74
20" x 28"	76"	Three	94-83-60	255 lbs.	93-83-60	225 lbs.	9-83-60	216 lbs.	65
	†99"	Four	94-84-80	345 lbs.	93-84-80	310 lbs.	9-84-80	287 lbs.	78
† Requires 2 Faucets			14" Water Level 17" Flood Level		12" Water Level 15" Flood Level		12" Water Level 15" Flood Level		



Customer Service Available To Assist You **1-800-645-3166** 8:30 am - 7:00 pm E.S.T.

For Orders & Customer Service:

Email: customer@advancetabco.com or Fax: 631-242-6900

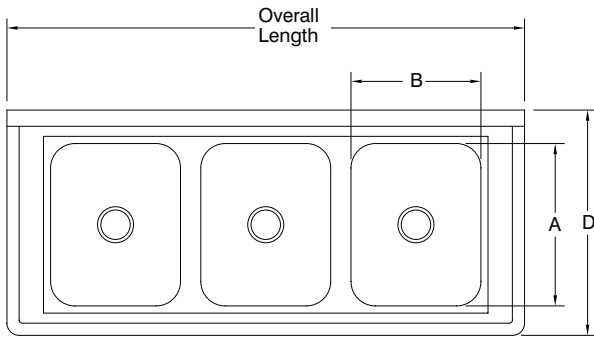
For Smart Fabrication™ Quotes:

Email: smartfab@advancetabco.com or Fax: 631-586-2933

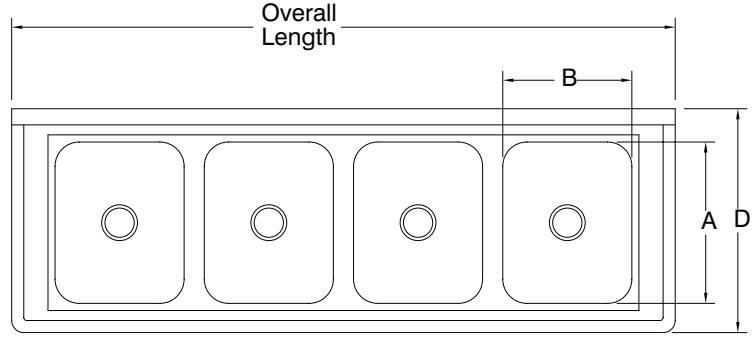
DIMENSIONS and SPECIFICATIONS

TOL Overall: ± .500"
Interior: ± .250"

ALL DIMENSIONS ARE TYPICAL



3 Compartment

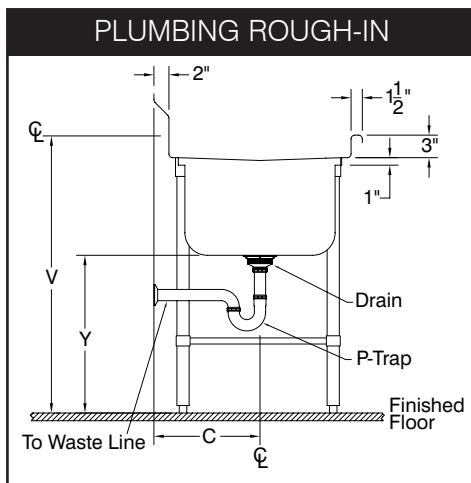


4 Compartment

DESCRIPTION

BOWL SIZE	# Of Compart.	DRBD SIZE	Recommended Use	A	B	C	D	94 SERIES					9 & 93 SERIES				
								V	W	X	Y	Z	V	W	X	Y	Z
16"x20"	Three Four	64" †83"	DISH SINKS	20"	16"	14 1/8"	28"	38"	11"	14"	19"	45"	38"	8"	12"	21"	42"
20"x20"	Three Four	76" †99"	DISH & POT SINKS	20"	20"	14 1/8"	28"	38"	11"	14"	19"	45"	38"	8"	12"	21"	42"
24"x24"	Three Four	*88" †115"	POT SINKS	24"	24"	16 1/8"	32"	38"	11"	14"	19"	45"	38"	8"	12"	21"	42"
20"x28"	Three Four	76" †99"	PAN SINKS	28"	20"	18 1/8"	36"	38"	11"	14"	19"	45"	38"	8"	12"	21"	42"

* Requires 2 Faucets



MECHANICAL:

- Supply is 1/2" IPS hot & cold.
- Faucet holes on 8" centers.
- Faucets are not included (**see accessories**).
- Waste drains are 1 1/2" IPS S/S basket type, located in center of sink bowl, and are included.

