



Project Name: \_\_\_\_\_

Location: \_\_\_\_\_

Item #: \_\_\_\_\_

Qty: \_\_\_\_\_

## Adcraft Panini Grill, Grooved 13.4" x 9.2" Cooking Surface, in Stainless Steel

SG811ES



Achieve exceptional grilling results with the Adcraft Panini Grill, perfect for commercial kitchens. Built with SUS430 aluminized sheet, it offers durability and efficient heat distribution. With a cooking surface of 13.4 x 9.2 inches, it accommodates various sandwich sizes. The grill operates within a temperature range of 120° to 570°F, ensuring versatile cooking options. Thermostatic control provides precision, while removable grids make cleaning easy.

### Features and Construction

- Made from SUS430 aluminized sheet for durability
- Operates on 120V with a NEMA 5-15P plug type
- Features 1 burner for efficient cooking
- Offers a 13.4" x 9.2" cooking surface
- Compact design with no casters for stability
- Electric grill with user-friendly design
- Thermostatic control for precise temperature management
- Temperature range from 120° to 570°F for versatile cooking
- Dimensions are 17.2"L x 15"W x 7.5"H
- Covered by the Adcraft One-Year Limited Warranty

### Electric

120V / 1750W / 14.5A  
Cord Length (Inches): 67"  
Plug Type: NEMA 5-15P  
Cord set included

NEMA 5-15P



### 3rd Party Approvals



### Included Components

Cord and plug, grill brush

### Temperature

Temperature Range (Fahrenheit): 120° - 570°

### Warranty (USA / Canada)

Protected by Admiral Craft Equipment Corporation's one-year limited warranty.

Contact Admiral Craft Equipment for details at 1-877-672-7740



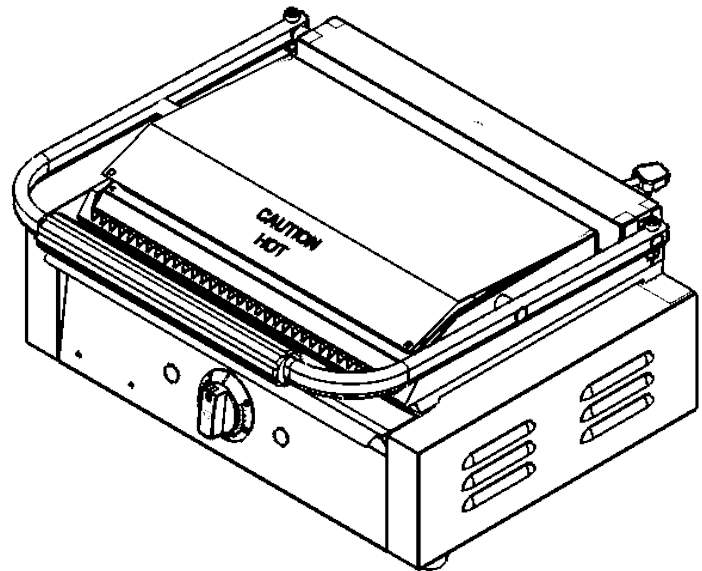
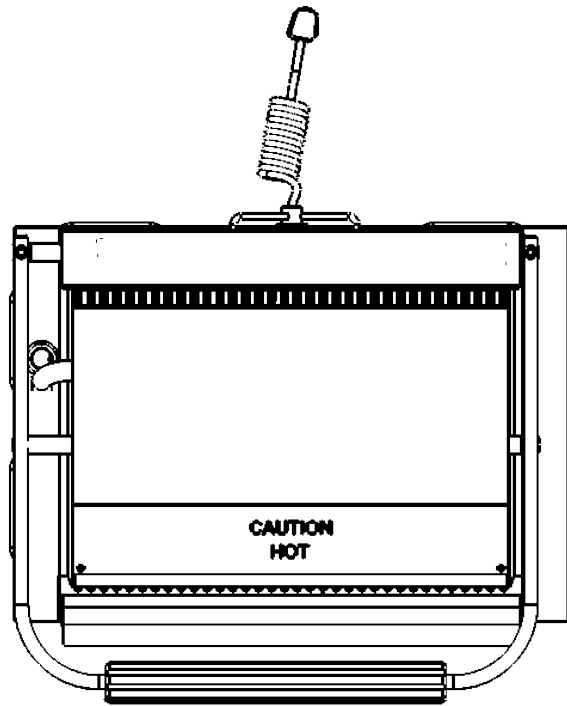
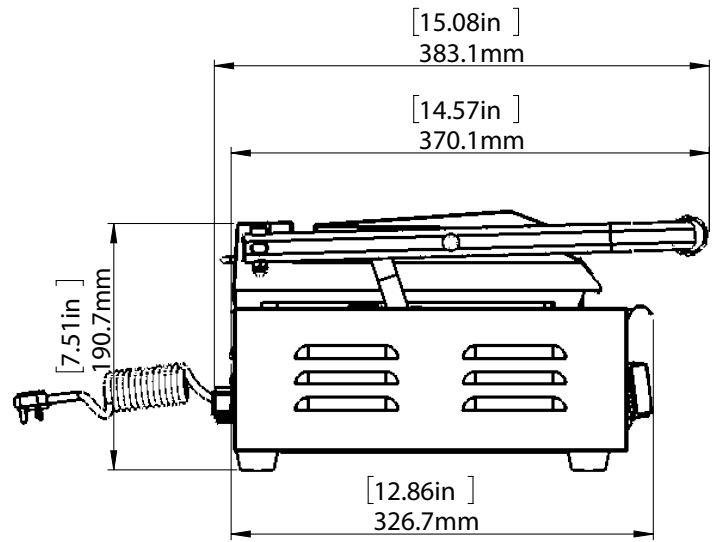
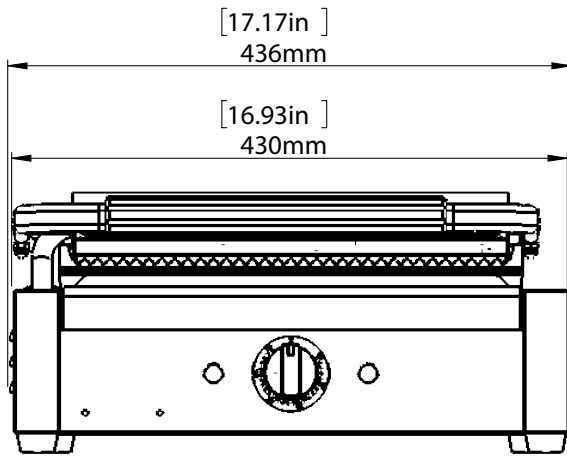


# Adcraft Panini Grill, Grooved 13.4" x 9.2" Cooking Surface, in Stainless Steel

SG811ES

FRONT

SIDE



TOP

## Sandwich & Panini

Control Type	Cooking Area Depth x Width (in)	Cooking Surface	Assembled Dimensions L x W x H (in)	Package Dimensions L x W x H (in)	Item Weight (lb)	Shipping Weight (lb)
Thermostatic	9.20" x 13.40"	Grate	17.2" x 15" x 7.5"	21" x 17.7" x 10.2"	32.5	42.9

Due to periodic changes in designs, methods, procedures, policies and regulations, the specifications contained in this document are subject to change without notice. While we exercise good faith efforts to provide information that is accurate, we are not responsible for errors or omissions in information provided or conclusions reached as a result of using the specifications. By using the information provided, the user assumes all risks in connection with such use.