



REFRIGERATION

SERVING THE FOOD INDUSTRY SINCE 1951

44-INCH CHEST FREEZER WITH SOLID FLAT TOP

Item: 46503 Model: FR-CN-0282

Designed to merchandise and provide increased sales of frozen novelties and seasonal specialties



- Perfect for convenience stores, ice cream shops, supermarkets, and/or restaurants
- Hinged lid design enables it to stay open while consumers are loading / taking out items without having to hold it up for hours

- Spacious to keep your frozen products in proper food storage temperature
- Pre-coated steel interior walls
- Fits maximum of 4 baskets



WARRANTY
PARTS AND LABOR



Authorized Dealer

REFRIGERATION

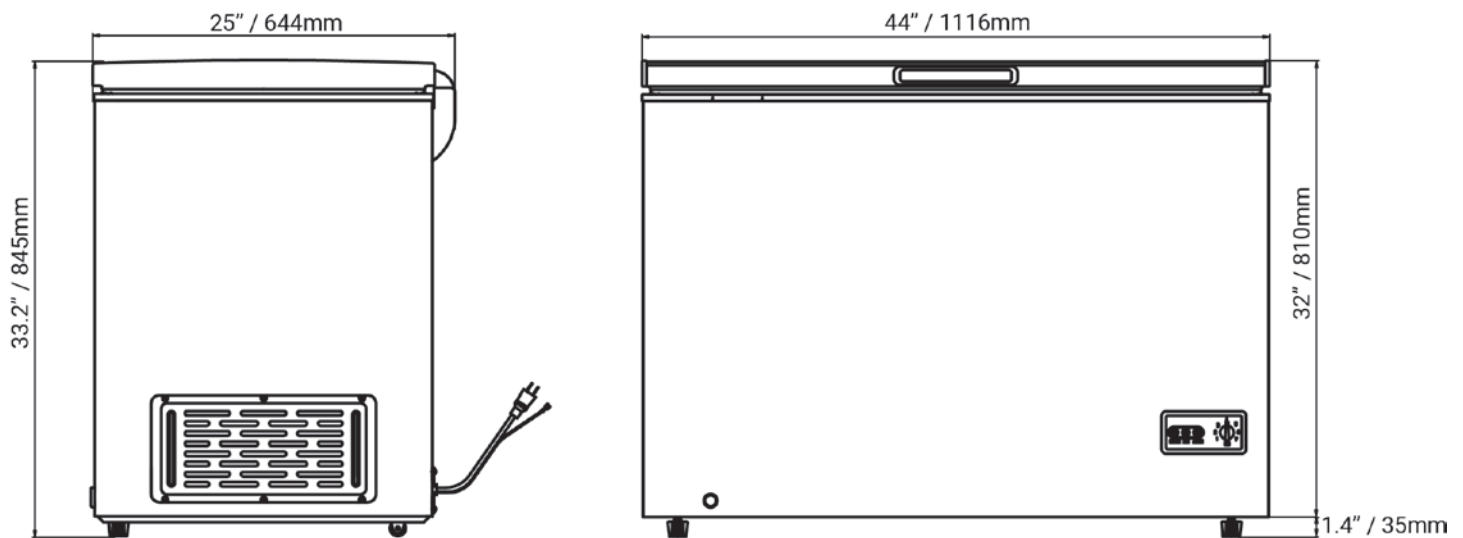
44-INCH CHEST FREEZER WITH SOLID FLAT TOP



TECHNICAL SPECIFICATIONS

ITEM NUMBER	46503	DEFROST	Manual
MODEL	FR-CN-0282	FOAMING COMPONENT	Cyclopentane
CAPACITY (CU. FT.)	10 cu. ft.	AMP	2.2
POWER	1/4 HP	NEMA PLUG	5-15A
REFRIGERANT	R600	EXTERIOR MATERIAL	Durable white powder coated steel
TEMPERATURE RANGE	-22°C to -15°C / -8°F to 5°F	INTERIOR MATERIAL	Precoated Steel
ELECTRICAL	115V / 60Hz / 1Ph	DOOR PANEL	Solid
NUMBER OF DOORS	1	DOOR TYPE	Hinged
NUMBER OF BASKETS INCLUDED	1 (Fits maximum of 4 baskets, sold separately)	LOCK	No
EXTERIOR DIMENSIONS (WDH)	44" x 25 x 33.2" 1116 x 644 x 845 mm	DEFROST DRAIN	Yes
GROSS DIMENSIONS	45" x 25.9" x 34.6" 1148 x 660 x 880 mm	INTERIOR LIGHT	No
WEIGHT	90 lbs. / 40.8 kg.	ADJUSTABLE THERMOSTAT	Mechanical
GROSS WEIGHT	101 lbs. / 45.8 kg.	CASTERS (Front / Rear)	2 rollers, 2 adjustable feet
		CERTIFICATIONS	ETL, ETL SANITATION

TECHNICAL DRAWINGS WITH DETAILED DIMENSIONS



OMCAN INC.

Telephone: 1-800-465-0234

Fax: (905) 607-0234

E-mail: sales@omcan.com

Website: www.omcan.com



Follow us to keep up to date
with the latest news and offers

