



Project Name: _____

Location: _____

Item #: _____ Qty: _____

Model: _____

ICE STORAGE BINS

MODEL: LUIB-310 LUIB-470



LUIB-310



LUIB-470

The LUNAR ICE family of ice bins are available in multiple models to fit your ice storage capacity needs, and are designed to fit perfectly with LUNAR ICE Intelligent Series Modular 22" and 30" ice machines as well as similar sized commercial machines.

FEATURES AND CONSTRUCTION

- Stainless steel and black trim exterior (LUIB-310 / LUIB-470)
- Polyethylene storage bin liner for improved sanitation
- LED illuminated interior when access lid is open (powered via connection to ice machine head - sold separately)
- Ice scoop and holder are above the ice line for easy access and improved sanitation
- 6" adjustable legs
- 3/4" drain hookup

MAXIMUM STORAGE CAPACITY

LUIB-310 310 lbs (141 kg)

LUIB-470 470 lbs (213 kg)

COMPATIBLE LUNAR ICE MODELS*

LUIB-310 (22" Width) - 22" Ice Bin, 310 lbs:

LUIM-360 - 360 lbs Ice Maker Only

LUIB-470 (30" Width) - 30" Ice Bin, 470 lbs:

LUIM-500 - 500 lbs Ice Maker Only

*LUIB Series bins will accommodate any similarly sized ice machine from any manufacturer

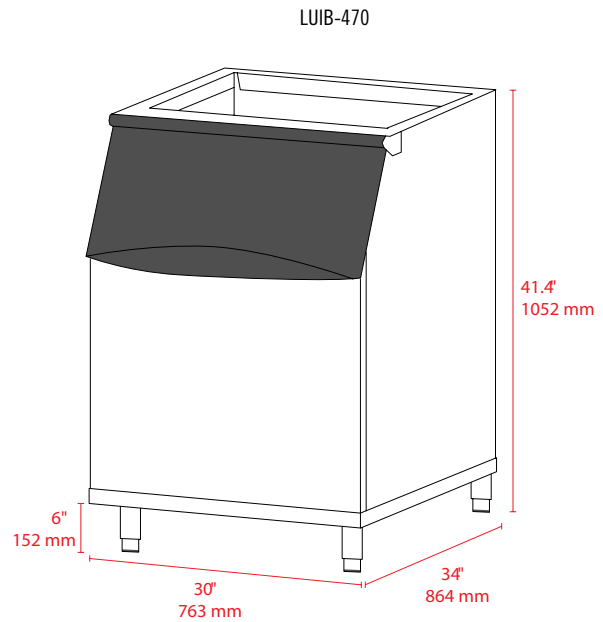
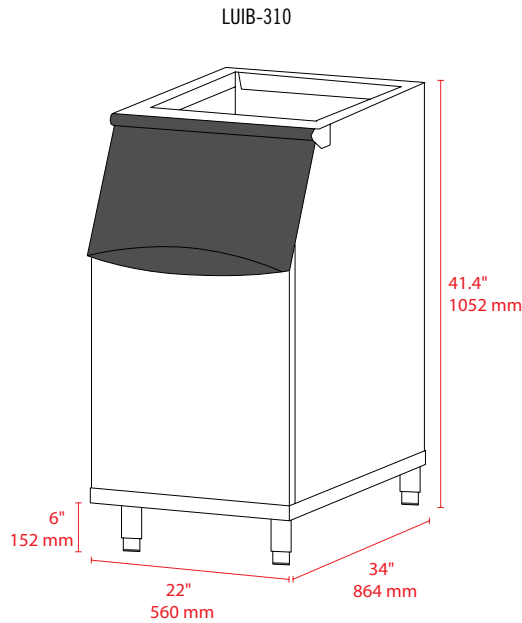
3RD PARTY APPROVALS



Tested and certified by NSF to NSF/ANSI standard 12

LUNAR ICE WARRANTY (USA/CANADA)

These units are backed by a 1-year limited parts and labor (parts only warranty for Canada) warranty and a 5-year warranty on the compressors and evaporator. For warranty, non-warranty related issues and technical support call NSA at 877-672-7740 or contact support@admiralcraft.com.



MODEL	EXTERNAL DIMENSIONS	MAXIMUM ICE STORAGE CAPACITY	AHRI CAPACITY	SHIPPING WEIGHT	DRAIN LINE CONNECTION
LUIB-310	22" x 34" x 41.4" (560 x 864 x 1052 mm)	310 lbs (141 kg)	246 lbs (112 kg)	99.5 lbs (45 kg)	3/4"
LUIB-470	30" x 34" x 41.4" (763 x 864 x 1052 mm)	470 lbs (213 kg)	376 lbs (171 kg)	117 lbs (53 kg)	3/4"

INSTALLATION

- Designed to fit perfectly with LUNAR ICE Intelligent Series Modular Ice Machines and most other commercial modular ice machines.
- A gravity drain line is required to install these ice bins