

## INSULATED HALF SIZE COUNTER TOP STAINLESS STEEL HOT CABINET MODELS H-138-NS-CC1MC5Q and H-138-NPS-CC1MC5Q

### FEATURES AND BENEFITS:

- Fully insulated 1/2 size hot cabinet keeps prepared foods at serving temperatures. Ideal for pizza and side items. Includes lighted cavity.
- Powerful, yet efficient, 1400 Watt heating system maintains the right temperature to properly hold products. Heats up to 200°F (93°C).
- Control panel has easy-to-read thermometer.
- Internal frame in body maintains structural rigidity.
- Stainless steel construction throughout for ease of cleaning. One piece extended base protects cabinet body.
- Smooth interior coved corners prevent food particles/grease buildup.
- Insulated door on front has pull handle, self-closing hinges and tempered glass window.
- High temperature magnetic latch for "easy open"; twist-lock catch secures door during transport. Door has tempered glass window.
- Standard with right hand hinging; left hand hinging available upon request. Field reversible for flexibility.
- Safety-conscious anti-microbial latch protects against spreading germs.
- Four (4) adjustable gravity-fed wire shelves.
- 4" high nickel plated legs; adjustable to 5-1/2".
- Model H-138NPS-CC1MC5Q has pass-thru design allowing access from preparation and serving area.



H-138-NS-CC1MC5Q



NSF/ANSI 4

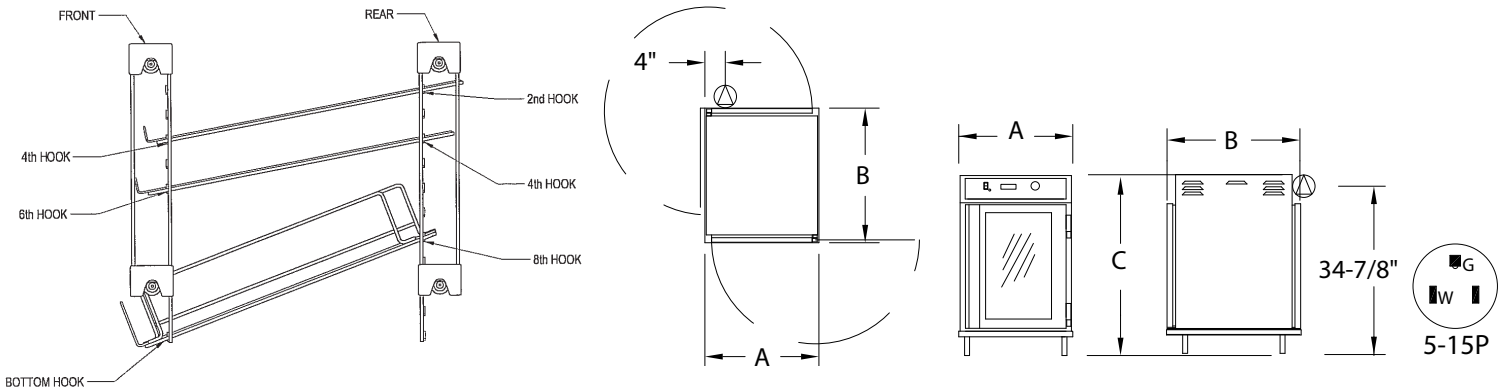


C US

### ACCESSORIES and OPTIONS (Available at extra cost):

- Magnetic Door Latch
  - Extra Wire Shelves
  - Lock Hasp
  - Pass-Thru
  - Extra Stainless Steel Angles
  - Gravity-fed Wire Shelf for side items
  - 1500 Watt, 150 Amp Power Unit
  - Custom Graphics for control panel and door
- See page B-30 for accessory details.

# H-138-NS-CC1MC5Q & H-138-NPS-CC1MC5Q



CRES COR MODEL NO.	SHELVES			DIM "A"	DIM "B"	DIM "C"	INSIDE DIMENSIONS			WEIGHT ACT.	
	CAP	SIZE		WIDTH	DEPTH	HEIGHT	WIDTH	DEPTH	HEIGHT		
H-138-NS-CC1MC5Q	4	17-3/4" x 26-1/4"	IN	25	33	40-7/8	19-7/8	28	28	LBS	302
H-138-NPS-CC1MC5Q		450 x 667	MM	635	838	1609	505	718	1475	KG	137

When ordering bumpers, add 2" to overall dimensions.

## CABINET:

- Body: Heavy duty stainless steel, 22 ga.
- Reinforcement: Heavy-duty internal framework of 18ga. stainless steel
- Insulation: Fiberglass, R-value = 6.82 at 75°F, 1-1/2" in door, 2" in sidewalls.
- Inner Top: (5) 40 Watt halogen lights.
- Interior coved corners.
- Air tunnels: Stainless steel, 22 ga.; lift out type, mounted on sides.
- Cord keeper on body side.

## BASE:

- One-piece construction, .125 aluminum.
- Legs (4): Nickel plated zinc; height adjustable 4" to 5-1/2".

## DOORS:

- Field reversible: Formed 22 ga. stainless steel.
- Door gaskets: Perimeter type, Santoprene with magnetic gasket.
- Hinges: Self-closing type.
- Full length pull handle on customer side.
- Magnetic latch: High pressure die cast zinc with anti-microbial handle on serving side.
- Door(s) have tempered glass windows.

## RACK INSERT:

- Cavity has (4) adjustable gravity-fed merchandising rack inserts: (.243 dia) nickel chrome plated steel; mounted on removable posts.

## POWER UNIT:

- Top mounted; removable with tools.
- Heater: 1370 Watts.
- Blowers (2) with intake guard.
- Thermostat: Electronic temperature control with digital temperature display. Display accurate to ±2°F.
- Power cord: permanent 10 ft.
- Switch: On/Off rocker type
- Internal vent fans.
- High limits.

## POWER REQUIREMENTS:

- 1400 Watts, 120 Volts, 60 Hz., single phase, 12 Amp. 15 Amp service.



Scan QR code to view Spec Sheet, Operating Manual, Wiring Diagram or to call Customer Service.

If you need a QR reader visit your App Store on your Smartphone or Tablet.



5925 Heisley Road • Mentor, OH 44060-1833  
Phone: 877/CRESCOR • Fax: 440/350-7267  
www.crescor.com

© Crescent Metal Products, Inc. 2017 All rights reserved.

## SHORT FORM SPECIFICATIONS

Cres Cor Half-Size Insulated (Pass-Thru Optional) Stainless Steel Hot Cabinet Model H138N(P)SCC1MC5Q. Cabinet 22 ga. stainless steel; stainless steel internal frame. Inner top has (5) 40 Watt halogen lights. Tempered glass doors on front and back, 22 ga. stainless steel. Fiberglass insulation in sides 2"; doors, top, base 1-1/2". Interior coved corners. 1400 Watt, 120 Volt power unit. (4) adjustable gravity-fed wire shelves. One piece insulated base, .125 aluminum. Adjustable legs: 4" to 5-1/2" high. 2 year parts warranty. Provide the following accessories: \_\_\_\_\_ . CSA-US, CSA-C, CSA to NSF4 listed.

*In line with its policy to continually improve its products, CRES COR reserves the right to change materials and specifications without notice.*

Made in America Since 1936