

Models:  
CL-300SL / CL-390 / CS-500

MADE IN BRAZIL



## Standard Features

- Gear and belt transmission
- Ideal to laminate pastel, pizza, lasagna, fondant, bread
- Structure is Steel, painted with white epoxy
- Trays and food contact spaces made of Stainless Steel
- Thickness regulator with visual indicator.
- CS-500 Equipped with 2 Rear Casters



CL-300

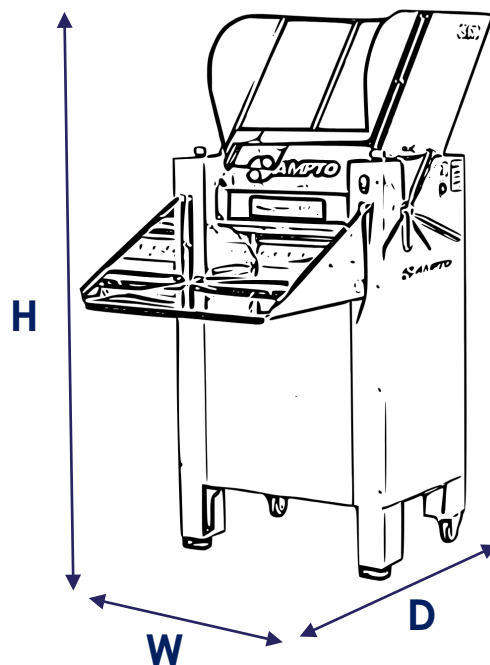
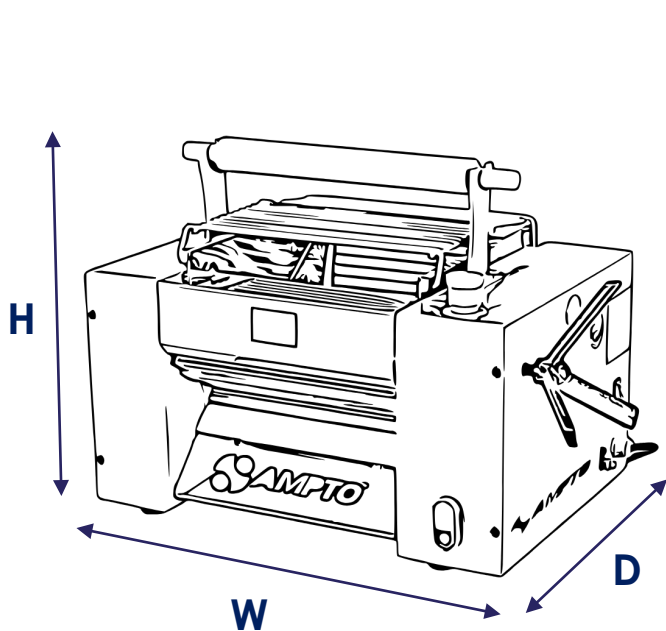


CS-500



CL-390

1-year parts and labor warranty (US Only)



SPECIFICATIONS			
	CL-300SL	CL-390	CS-500
Type	Countertop	Countertop	Floor
Roll Width	12"	16"	20"
Roll Opening	0.43" (11mm)	0.82" (21mm)	0.94" (24mm)
Dough Capacity	4.5 lbs (2 kg)	16 lbs (7.25 kg)	33 lbs (15 kg)
RPM	66	75	115
Motor Qty	1	1	2
Motor Power (Hp)	0.5	1	1.5 each
Power Supply	110v/60Hz/1ph	110v/60Hz/1ph	220v/60Hz/1ph
Amps	3.6	7.3	16.5
Plug / Connection	Nema 5-15p	Nema 5-15p	Wire - No Plug
External Dim WxDxH	23" x 25" x 16"	36" x 25" x 23"	44" x 32" x 63"
Weight (lbs)	93	115	396
Shipping Dim WxDxH	29" x 20" x 17"	26" x 35" x 24"	40" x 34" x 75"
Shipping Weight (lbs)	156	160	485



CL-300SL and CL-390  
Nema 5-15 125 VAC  
2 Pole, 3 Wire  
Grounding



Wired  
No Plug

\*AMPTO is continuously improving products. Specifications are subject to change without notice.\*