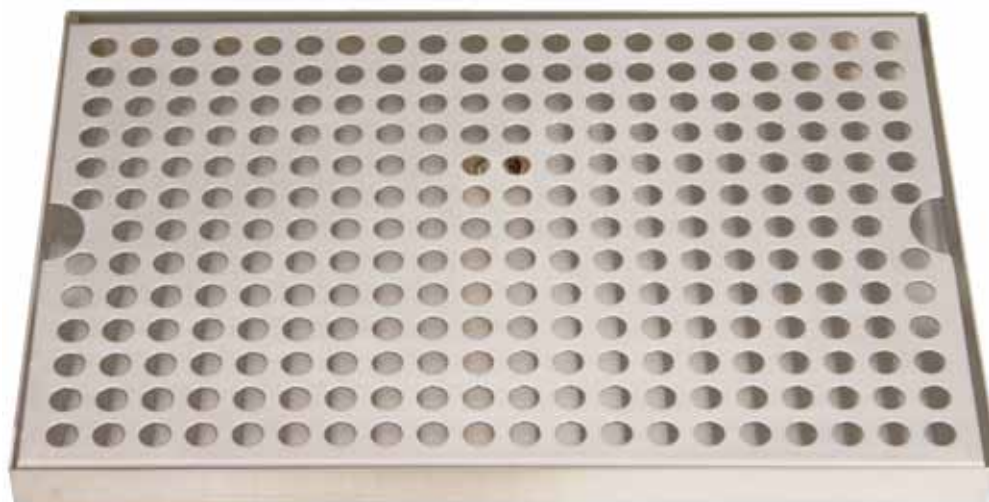




- Easy installation: simply drill one hole to locate and secure.
- Robust 18 gauge stainless steel construction.
- Welded corners, finished smooth for safety and appearance.
- Perforated screen for maximum drip coverage.



Stainless Steel
[DP-820D-12](#)



PVD Brass
[DP-820DSSPVD-12](#)

Features



Tarnish Free
PVD Brass.

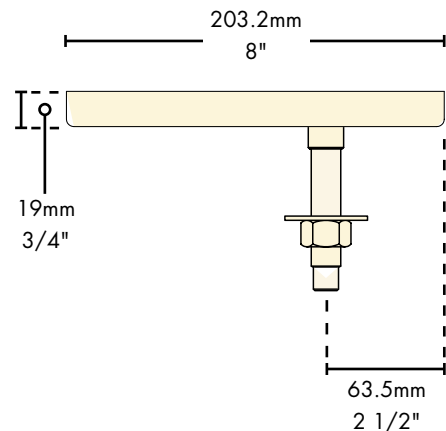
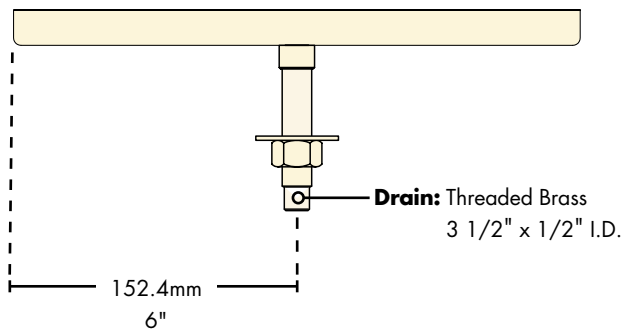
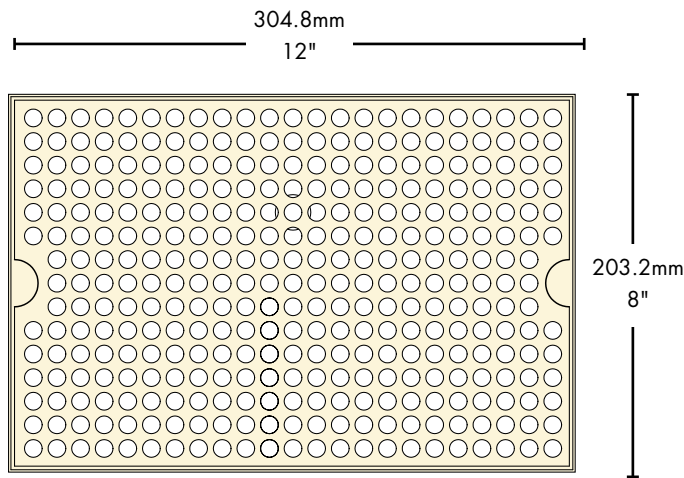


Stainless Steel for
hygiene and durability.

Specifications

Part No.	Description	Shipping Weight	Box Dimensions
<input type="checkbox"/> DP-820D-12	Stainless Steel	2 kg	356mm L x 229mm W x 51 mm H
		4 lbs	14"L x 9"W x 2"H
<input type="checkbox"/> DP-820DSSPVD-12	PVD Brass	2 kg	356mm L x 229mm W x 51 mm H
		4 lbs	14"L x 9"W x 2"H

Dimensions



Copyright ©2011 Micro Matic USA, Inc. All Rights Reserved.

00193D1008



www.micromatic.com

Toll Free: 1-(866) 327-4159

West	Central	Southeast	Northeast
------	---------	-----------	-----------

19791 Bahama Street Northridge, CA 91324 Tel. (818) 701-9765 Fax. (818) 701-9844	10726 North Second Street Machesney Park, IL 61115 Tel. (815) 968-7557 Fax. (815) 968-0363	2364 Simon Court Brooksville, FL 34604 Tel. (352) 799-6331 Fax. (352) 796-2429	4601 Saucon Creek Road Center Valley, PA 18034 Tel. (610) 625-4464 Fax. (610) 625-4466
---	---	---	---