



Profit from the Eagle Advantage®

Specification Sheet

Short Form Specifications

Eagle Pass-Thru Heated Drawer, model _____. Heavy duty stainless steel construction with 1½" fiberglass insulation. Pull handle provided on front and rear of drawer, for functionality from either side of unit. Stainless steel drawer liner accepts full-size 12" x 20" or fractional steam table pans up to 6"-deep. Drawer features heater, recessed thermostat control, thermometer and indicator light.



rear of unit shown with drawer in open position



front of unit shown with drawer in the open position

Item No.:	_____
Project No.:	_____
S.I.S. No.:	_____

Pass-Thru Heated Drawers

MODELS:

- DWP-1L-120
- DWP-1L-240
- DWP-1R-120
- DWP-1R-240

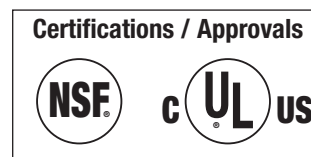
Design and Construction Features:

- Pass-thru design allows kitchen staff to replenish drawer without disturbing the wait-staff.
- Handles are provided on both sides of drawer for functionality from either side of unit.
- Heavy gauge stainless steel interior and exterior with 1½" (38mm) fiberglass insulation.
- Food-grade silicone rubber gaskets provide sealing around the drawer fronts to help boost efficiency.
- Drawer includes stainless steel liner that accepts standard full-size and fractional steam table pans up to 6" (152mm) deep.
- Available in 120 or 240 volt.
- Standard black 4" (102mm) adjustable non-marking feet.

EAGLE GROUP

100 Industrial Boulevard, Clayton, DE 19938-8903 USA
 Phone: 302-653-3000 • 800-441-8440 • Fax: 302-653-2065
www.eaglegrp.com
www.eaglegrpnews.com
www.eaglemhc.com

For custom configuration or fabrication needs, contact our **SpecFAB® Division**.
 Phone: 302-653-3000 • Fax: 302-653-2065 • e-mail: quotes@eaglegrp.com



EG35.14 Rev. 12/22

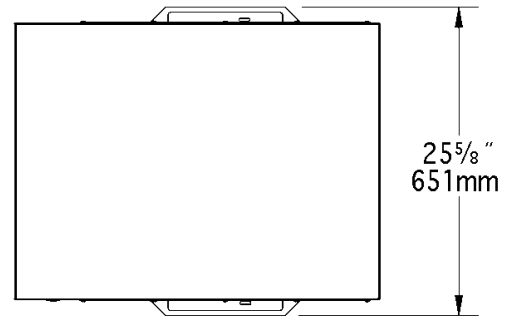
Spec sheets available for viewing, printing or downloading from our online literature library at our websites

Eagle Foodservice Equipment, Eagle MHC, and SpecFAB® are divisions of Eagle Group. ©2022 by the Eagle Group

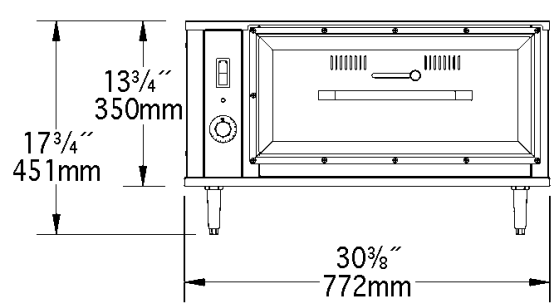


Item No.: _____
 Project No.: _____
 S.I.S. No.: _____

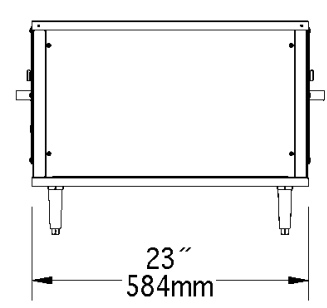
Pass-Thru Heated Drawers



TOP VIEW



FRONT VIEW



SIDE VIEW

overall width x depth*		weight		electrical data	with Left-Hand Cord	with Right-Hand Cord
in.	mm	lbs.	kg		model #	model#
30 3/8" x 25 5/8"	772 x 651	158	71.7	120V, 3.75A, 450W	DWP-1L-120	DWP-1R-120
30 3/8" x 25 5/8"	772 x 651	158	71.7	240V, 1.88A, 450W	DWP-1L-240	DWP-1R-240

* Depth includes front and rear pull handles.

EAGLE GROUP
 100 Industrial Boulevard, Clayton, DE 19938-8903 USA
 Phone: 302-653-3000 or 800-441-8440 • Fax: 302-653-2065
 www.eaglegrp.com • www.eaglegrpnews.com • www.eaglehmc.com

Printed in U.S.A.
 ©2022 by Eagle Group
 Rev. 12/22

Spec sheets available for viewing, printing or downloading from our online literature library at our websites

Although every attempt has been made to ensure the accuracy of the information provided, we cannot be held responsible for typographical or printing errors. Information and specifications are subject to change without notice. Please confirm at time of order.