

25 cu ft Pass-Thru Refrigerators, Reach-In

- Key component to any high-volume cafeteria or commissary kitchen.
- Refill products from the back and serve from the front, creating efficiency in the kitchen or serving line.
- Available in solid door, glass door, and half-door combination options.



UCRP125-SS31A



UCRP125-GS31A



UCRP225-SS31A



UCRP225-GS31A



UCRP125-GG31A

Model	Description	Voltage/Hz/Phase/Amps	Shipping Weight
UCRP125-SS31A	25 cu ft Pass-Thru Refrigerator, 1 Front Door Solid, 1 Back Door Solid	115v / 60hz / 1 / 3.4	355 lb
UCRP125-GS31A	25 cu ft Pass-Thru Refrigerator, 1 Front Door Glass, 1 Back Door Solid	115v / 60hz / 1 / 3.4	355 lb
UCRP225-SS31A	25 cu ft Pass-Thru Refrigerator, 2 Half Front Door Solid, 2 Half Back Door Solid	115v / 60hz / 1 / 3.4	355 lb
UCRP225-GS31A	25 cu ft Pass-Thru Refrigerator, 2 Half Front Door Glass, 2 Half Back Door Solid	115v / 60hz / 1 / 3.4	355 lb
UCRP125-GG31A	25 cu ft Pass-Thru Refrigerator, 1 Front Door Glass, 1 Back Door Glass	115v / 60hz / 1 / 3.4	355 lb

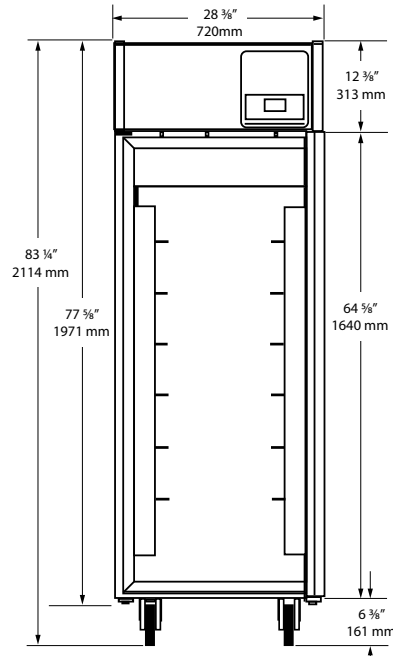
Specifications

Dimensions: 83 ¼" H x 28 ⅜" W x 32" D (doors closed), 84 ⅛" D (doors open)
AISI 304 stainless steel interior and exterior with locks
Autodefrost
CFC-free high-density polyurethane insulated cabinet
Environmentally friendly R290 refrigerant: 3.5 oz (0.100kg)
Electronic digital temperature control with alarms
Factory pre-wired for dedicated outlet, 11 ft cord and plug included NEMA 5-15P
High efficiency compressor, top mount
High efficiency evaporator coil & condenser
LED interior lighting
NSF/ANSI Standard 7 compliant
Self-lubricating, sealed cast iron evaporator fan motor with high volume airflow design
Temperature range: 28°F to 46°F
Volume of 25 cu ft 1 section, includes 6 pairs of L style tray guides (trays not included)

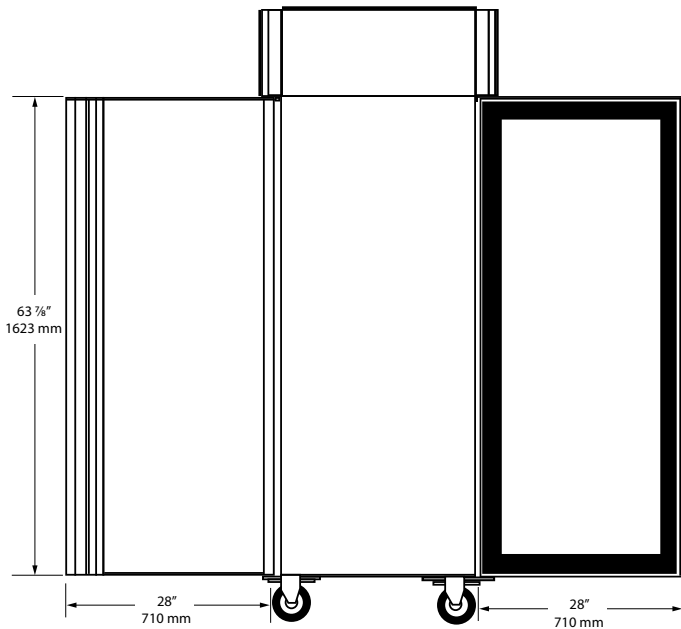


Product Specifications • 25 cu ft Pass-Thru Refrigerators, Reach-In

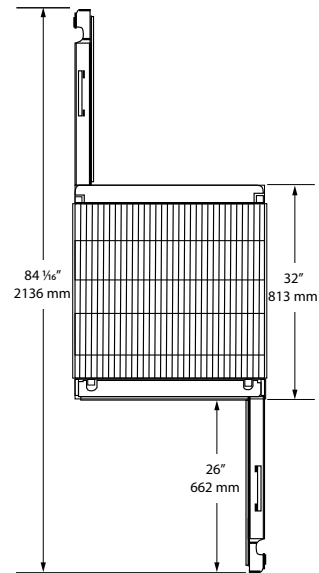
Front



Side



Top



Commercial Warranty

3 Year (parts & labor) / 5 year sealed system (parts)
See complete warranty for details

