

AMERICAN RANGE®

A  Company

Project _____

Item # _____

Quantity _____

RAISED GRIDDLE BROILER

GAS TYPE: NATURAL LP



ARGB-24 ARGB-36 ARGB-48

STANDARD FEATURES

- Stainless steel exterior
- Steel griddle plates in 3/4" thickness
- One radiant 20,000 BTU/hr. burner for every 12" of the griddle surface for even cooking
- Pull-out broiler rack
- 4" adjustable height legs included
- Two year limited warranty, parts, and labor



Model ARGB-36

DESCRIPTION

American Range, raised griddle broiler, Model ARGB
All stainless steel front and sides, with 3/4" polished griddle plate 20,000 BTU/hr. burners every 12". Manually controlled griddle with stainless steel non-clog pilot tip for instant ignition of each burner. Each burner has a heat deflector shield to drive heat down to the broiler. Two year limited warranty, parts, and labor.



DESIGNED & BUILT IN USA
PROFESSIONAL COOKING EQUIPMENT

A70167 RevB 10172024

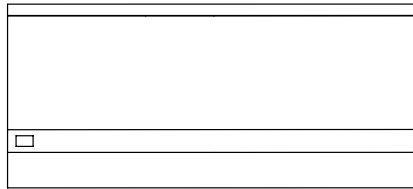
AMERICAN RANGE®

A  Company

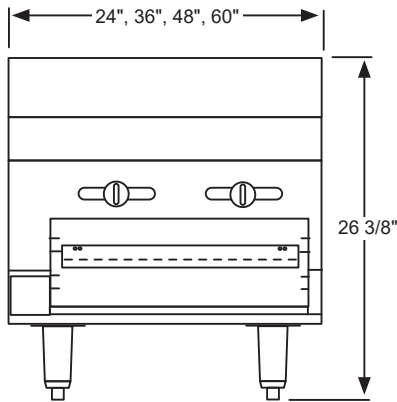
13592 Desmond St Pacoima CA 91331
T. 818.897.0808 Toll Free: 888.753.9898
www.AmericanRange.com

RAISED GRIDDLE BROILER

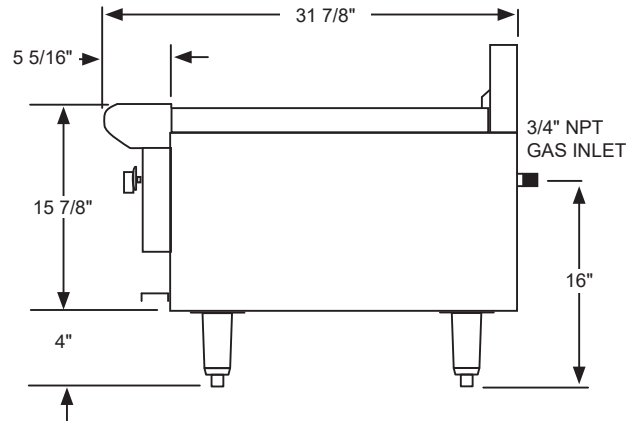
3/4" NPT
GAS INLET



FRONT



SIDE



Shipping Weight

Model	Width (mm)	Depth (mm)	Height (mm)	Burners	Total BTU	(kW)	Lbs	(kg)
ARGB-24	24" (610)	30" (762)	16" (407)	2	40,000	(12)	330	(150)
ARGB-36	36" (914)	30" (762)	16" (407)	3	60,000	(18)	430	(195)
ARGB-48	48" (1219)	30" (762)	16" (407)	4	80,000	(23)	550	(249)

Specify type of gas and altitude if over 2000 feet.

Please specify gas type when ordering.

NMFCCODE: 25970-2 Class: 85

*Shipping weight includes packaging and is approximate.

NATURAL GAS	MANIFOLD PRESSURE	
	PROPANE GAS	MANIFOLD SIZE
5.0" W.C.	10.0" W.C.	3/4" (19MM)

Combustible wall Clearances:

For use only on non-combustible floors. Legs or casters are required, or 2" (51) overhang is required when curb mounted. Clearance from non-combustible walls is 0". When unit is placed next to combustible walls, clearances must exceed 12" (305) from sides, and 4" (102) from rear. Radiant broilers for non-combustible locations only.

Commercial cooking equipment requires an adequate ventilation system. For additional information, refer to the National Fire Protection Association's standard.

NFPA96 "Vapor Removal from Cooking Equipment." (NOTE: For North America only)

American Range is a quality manufacturer of commercial cooking equipment. Because of continuing product improvements these specifications are subject to change without prior notice.

DESIGNED & BUILT IN USA
PROFESSIONAL COOKING EQUIPMENT



A70167 RevB 10172024

AMERICAN RANGE
A **Hatco** Company

13592 Desmond St Pacoima CA 91331
T. 818.897.0808 Toll Free: 888.753.9898
www.AmericanRange.com