

Santos #11 Citrus Juice Extractors

ITEM: 44025
MODEL: SANTOS 11C

48110
SANTOS 11



44025

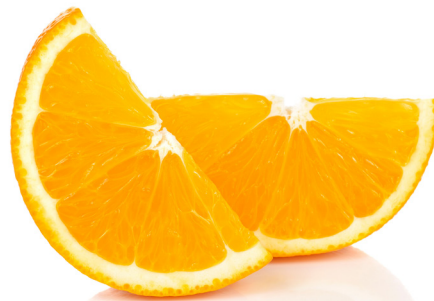
48110

Built to last, Heavy-duty and Quiet

The real commercial juicer, built to last, with a heavy duty and quiet asynchronous motor, for use everywhere you need a fresh squeezed citrus juice: juice bars, health food stores, hotels, restaurants, cafeterias, ice cream shops, hospitals and even at home.

FEATURES:

- Delivered with 3 removable squeezers for oranges, lemons, limes and grapefruits.
- Easy to clean: removable bowl, grid and squeezer.
- Spout height: 5" (125 mm), to make juice in a glass.
- Average output: 31 Qt. (30 L) /hour
- Built to last, it has obtained the Longtime Label, attesting its robustness and durability!
- 100% manufactured in France since 1954.

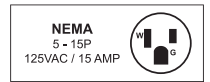
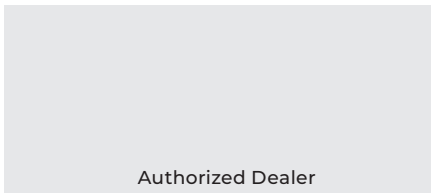


1-833-487-3686

www.trentoequipment.com

sales@trentoequipment.com

Follow us on social media
@trentoequipment





The unique juicer that you can clean quickly and easily. All the parts which are in contact with the fruits are easily removable (NSF approved).

1. 3 removable squeezers
2. Metallic ring
3. Grid
4. Plastic bowl

EASY To Clean

Technical Specification

Colour	Chrome	Green
Item	44025	48110
Model	SANTOS 11C	SANTOS 11
Production (Per Hour)	31 Qt. (30 L)	
Power	155 W / 0.2 hp	
Amps	1.4 A	
Electrical	100-120V/60Hz/1Ph	
RPM	1800	
Net Weight	11 lb. (5 kg.)	
Net Dimensions (WDH)	9" x 12" x 14" (230 x 300 x 350 mm)	
Gross Weight	12 lb. (5.6 kg.)	
Gross Dimensions (WDH)	10" x 13" x 16" (255 x 340 x 400 mm)	
Plug Type	NEMA 5-15P	

Thermal Safety

Motor protected by thermal detector and overload protector.

Electrical Safety

- On/Off interlock switch is waterproof
- All mechanical parts are ground (earth) connected
- All equipment is 100% tested at the end of assembly

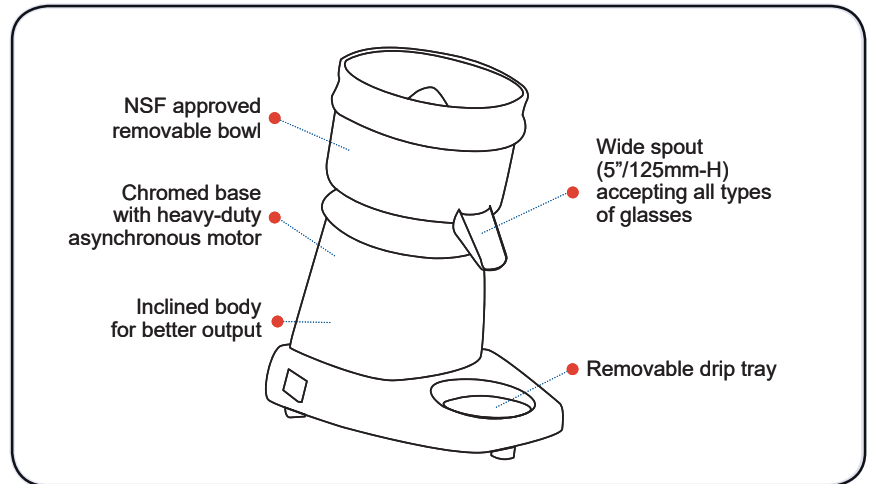
Acoustic Safety

The asynchronous motor with direct drive is particularly silent

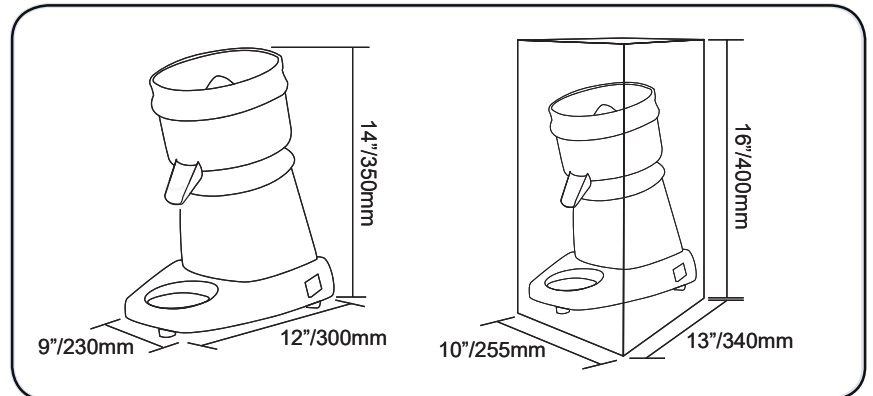
Hygiene

All removable parts can be put in a dishwasher or easily cleaned with hot soapy water (NSF approved)

SAFETY And HYGIENE



PARTS And SPECIFICATIONS



DIMENSIONS

