

Project Name: _____ AIA#: _____

Model #: _____ Location: _____

SIS#: _____ Item #: _____ Quantity: _____



NEW!

Power Drive Units

More Power, More Versatility!

Chop, grate, shred, slice and tenderize! Globe Power Drive Units boost food prep productivity with a heavy-duty 1 HP motor and an industry standard #12 attachment hub.



GPD-L

Models

- GPD-L - 200 RPMs
- GPD-H - 700 RPMs

Standard Features

- Powerful 1 HP fan-cooled motor
- Industry standard #12 Attachment Hub
- Brushed stainless steel construction with one-piece cast hub face
- Interlocked power switch prevents inadvertent operation
- #12 attachment coupler built into shaft
- Overload protection with manual reset button
- Non-scratch, non-slip feet

Warranty

- 1-year parts and labor warranty

Optional Accessories/Attachments

- **XVSGH** 9" slicer/shredder/grater housing
- **XASP** Adjustable slicing plate (*vegetables only*)
- **L00670** Meat tenderizer
- **L00783** Strip Cutter
- **XPH** Plate holder (*requires plate below*)

Shredder/Grater plates:

- XSP332** 3/32" (2.3 mm) shredding plate
 - XSP316** 3/16" (4.7 mm) shredding plate
 - XSP14** 1/4" (6.3 mm) shredding plate
 - XSP516** 5/16" (7.9 mm) shredding plate
 - XSP12** 1/2" (2.3 mm) shredding plate
 - XGP** grating plate
 - **XMCA-SS** Meat Grinder Assembly (*GPD-L only*)
- Grinding plates:**
- CP02-12** 1/16" (2 mm) plate
 - CP04-12** 5/32" (4 mm) plate
 - CP05-12** 3/16" (5 mm) plate
 - CP06-12** 1/4" (6 mm) plate
 - CP08-12** 5/16" (8 mm) plate
 - CP10-12** 3/8" (10 mm) plate
 - CP12-12** 1/2" (12 mm) plate
 - CP14-12** 9/16" (14 mm) plate
 - CP16-12** 5/8" (16 mm) plate
 - CP18-12** 11/16" (18 mm) plate
 - CP00-12** stuffing plate (*must be used with stuffing tube when stuffing sausage casings*)

Accessory Kits

- **XVG** Housing and slicing plate
- **XVS** Housing, plate holder & 3/16" shredding plate
- **XGS** Housing, slicing plate, plate holder & 3/16" shredding plate

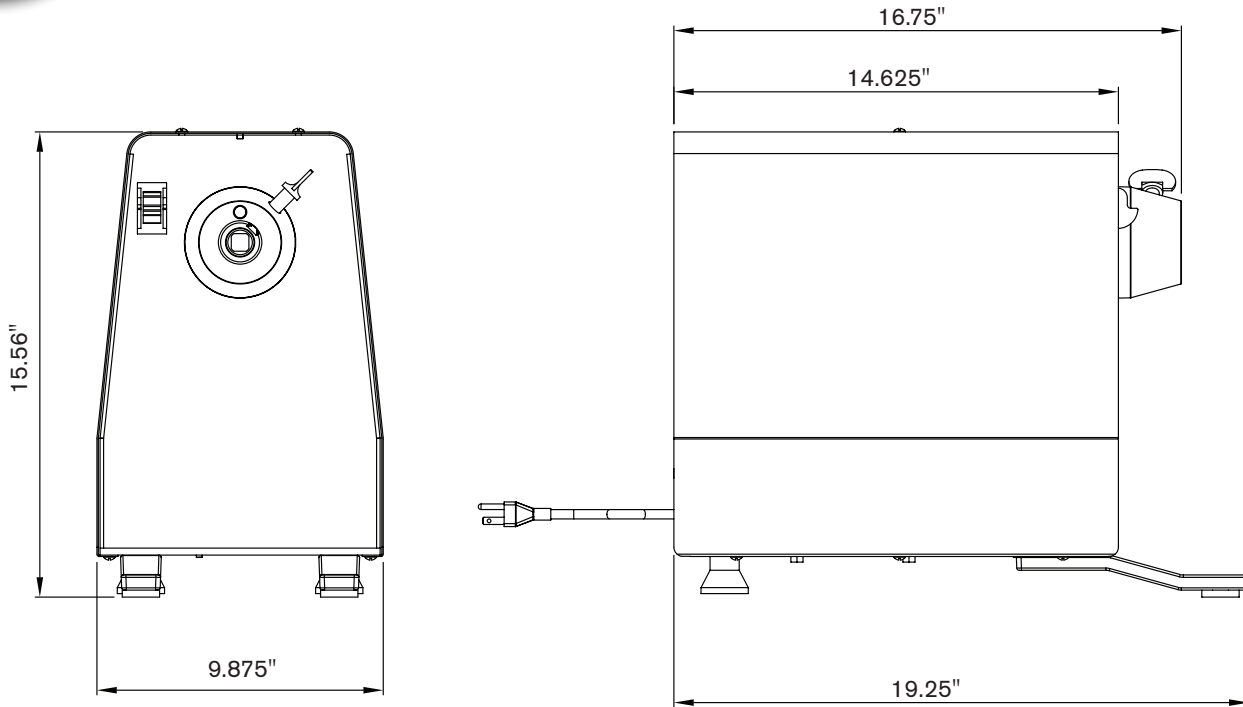
To select options see back

Approved by: _____ Date: _____



AutoQuotes

Intertek
Conforms to NSF/ANSI STD 8



SPECIFICATIONS

Table with 7 columns: Model, RPMs, Motor, Amps, Volts, Capacity per Minute (Ground Beef, Grated Parmesan Cheese, Lettuce). Rows include GPD-L and GPD-H*.

*High speed model not for grinding meat or shredding cheese

Cord & Plug: Attached 6 foot flexible 3-wire cord with molded plug fits a grounded receptacle. NEMA 5-15

DIMENSIONS | SHIPPING INFORMATION

Item ships on pallet. Freight Class 70

Table with 5 columns: Model, Overall Dimensions, Net Weight, Shipping Dimensions, Shipping Weight. Rows include GPD-L and GPD-H.

Globe Power Drive Units constructed of stainless steel with one-piece cast hub. Power Drive Units have 1 HP fan cooled motors with overload protection and manual reset. #12 attachment hub with coupler built into shaft. Interlocked power switch prevents inadvertent operation. Non-slip, non-scratch feet. Units are CSA design certified, cETLus listed. One-year parts and labor warranty.

OPTIONAL/ADDITIONAL ACCESSORIES

- XVSGH 9" Slicer/Shredder/Grater Housing
XASP Adjustable Slicing Plate (vegetables only)
XPH Plate Holder
L00670 Meat Tenderizer
L00783 Strip Cutter
Shredder/Grater plates:
XSP332 3/32" (2.3 mm) shredding plate
XSP316 3/16" (4.7 mm) shredding plate
XSP14 1/4" (6.3 mm) shredding plate
XSP516 5/16" (7.9 mm) shredding plate

- XSP12 1/2" (2.3 mm) shredding plate
XGP grating plate
XMCA-SS Meat Grinder Assembly (GPD-L only)
Grinding plates:
CP02-12 1/16" (2 mm) plate
CP04-12 5/32" (4 mm) plate
CP05-12 3/16" (5 mm) plate
CP06-12 1/4" (6 mm) plate
CP08-12 5/16" (8 mm) plate
CP10-12 3/8" (10 mm) plate
CP12-12 1/2" (12 mm) plate
CP14-12 9/16" (14 mm) plate

- CP16-12 5/8" (16 mm) plate
CP18-12 11/16" (18 mm) plate
CP00-12 stuffing plate (must be used with stuffing tube when stuffing sausage casings)

ACCESSORY KITS

- XVG Housing and slicing plate
XVS Housing, plate holder & 3/16" shredding plate
XGS Housing, slicing plate, plate holder & 3/16" shredding plate