

**LOW BASE - MAXIMUM VIEW - MULTI PURPOSE
35E SERIES – ENDLESS DESIGN (SC) 78.5" H (R) 60"H**



SC-OD35E-4L-LB-B*
***ARTIST RENDERING**



R-OD35E-4L-LB-B*
ARTIST RENDERING

Remote Model No.	Description	Length	Depth	Height	Voltage	Amps	HP/ BTUs	Power Cord	Est. Ship Weight
SC-OD35E-4L-LB-B	Self Contained	51.00"	34.50"	74.00"	115/208-230	13.0	1/2	L14-20P	895
R-OD35E-4L-LB-B	Remote	51.00"	34.50"	60.00"	115	3.0	4733	No	585

(ALL WHITE OR ALL BLACK, NO EXTRA CHARGE—IF COLORS ARE MIXED AN ADDITIONAL CHARGE WILL APPLY)

Prefix	Suffix
SC = Self Contained	B = Black
R = Remote	W = White
	S = Stainless Steel
	LED = LED lighting

- Cases are designed to operate at 75 degrees Fahrenheit and 55% relative humidity
- Cases are equipped with drains; check your local building codes for connection requirements.
- Specification subject to change without notice



Howard McCray • 831 East Cayuga St • Philadelphia, PA 19124 USA • (215) 464-6800
1-800-344-8222 • Fax (215) 969-4890 • E-Mail: sales@howardmccray.com • www.howardmccray.com

LOW BASE - MAXIMUM VIEW - MULTI PURPOSE 35E SERIES – ENDLESS DESIGN (SC) 78.5" H (R) 60"H

Standard Specifications and Optional Features

CONSTRUCTION

- UL Classified to ANSI/NSF 7
- Foamed in place CFC free foam
- Heavy gauge steel super structure
- Multi deck
- Endless design allows for continuous line up
(Remote Only)

INTERIOR

- Black
- Removable black floor pans
- Black perforated rear wall (for even air distribution)
- Full length lighting at top of unit
- 3 levels of lighted shelving
- 4 levels of product display
- Stylish price tag molding on each shelf

EXTERIOR

- Black ends, front and rear
- Removeable front grill allows for cleaning and servicing
- 1" bumper
- 4" curved plexi end panels

LIGHTING

- 1 row at inside top of unit
- 3 rows of lighted shelving

ELECTRICAL REQUIREMENTS

- Self contained unit comes with cord and plug
- UL/CUL listed
- See Tech page for details on voltage

REFRIGERATION

- Self contained expansion valve system
- Low velocity fans located below deck area (to insure even flow of air)
- Electronic control system with automatic air defrost to maintain balanced temperatures (SC)
- New high efficiency air screen technology

OPTIONAL FEATURES

- Wide view plexi end panels
- Night covers
- Product stops on shelving
- Digital thermometer
- Condensate pan and pump kit

IMPORTANT NOTE:

ALL REFRIGERATED CASES ARE DESIGNED TO OPERATE IN AN ENVIRONMENT OF 75 DEGREES AND 55% RELATIVE HUMIDITY.

PRODUCT MUST BE COOLED BEFORE BEING DISPLAYED WITHIN THE CASE.

DRAIN IS REQUIRED

**LOW BASE - MAXIMUM VIEW - MULTI PURPOSE
35E SERIES – ENDLESS DESIGN (SC) 78.5" H (R) 60"H**

Technical Data

Model No.	SC-OD35E-4L-LB-B	R-OD35E-4L-LB-B
Length with (2) ends	51"	51"
Length without ends	48"	48"
Height with ends	74"	60"
Depth with ends	34.5"	34.5"
Depth without ends	34"	34"
Endless design (Dimensions are +/- 1/4")	NO	YES
Operating temperature	36°F to 40°F	36°F to 40°F
Refrigerant (exp. valve)		
Defrost per day (24 hours)	Air Defrost	6 per day
BTU's at +20°F Evap. Temp.	N/A	4733
Voltage	115/208-230	115
Amperage	SC	13.0
Amperage, lights only	R	N/A
Cord and plug	SC	Nema L14-20P
Exterior color	BLACK	BLACK
Interior color	BLACK	BLACK
# of rows / shelves	3	3
Shelf Size	(1) 16", (2) 18"	(1) 16", (2) 18"
Shipping Info		
Height	86"	68"
Depth	44"	44"
Length	61"	61"
Gross weight	895	585
Cubic feet	134	106

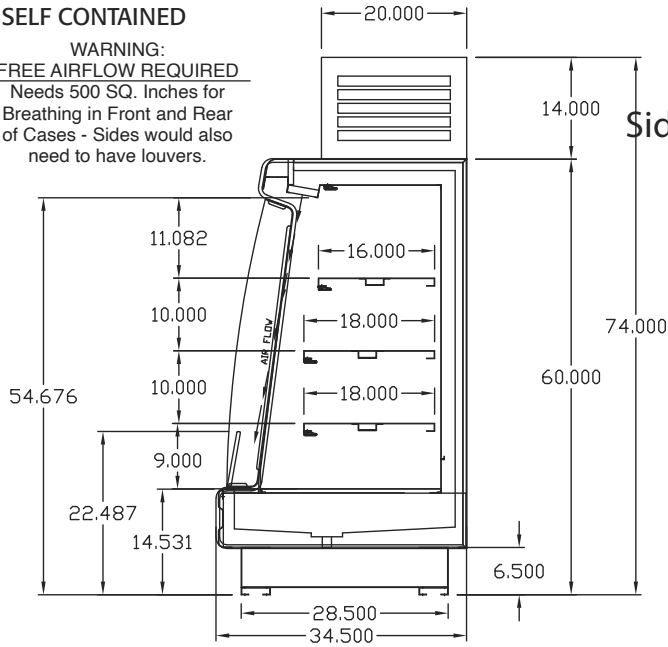
- Cases are designed to operate at 75 degrees Fahrenheit and 55% relative humidity
- Cases are equipped with drains; check your local building codes for connection requirements.
- Specification subject to change without notice

**LOW BASE - MAXIMUM VIEW - MULTI PURPOSE
35E SERIES - ENDLESS DESIGN (SC) 78.5" H (R) 60"H**

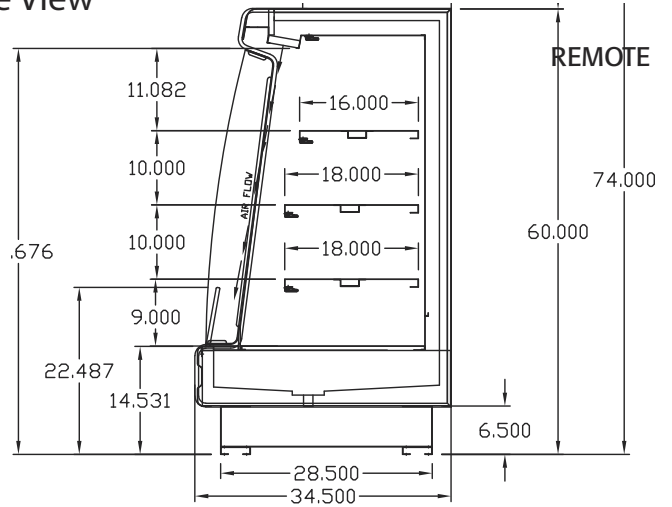
DRAWINGS • SIDE VIEW • PLAN VIEW • FRONT VIEW

SELF CONTAINED

WARNING:
FREE AIRFLOW REQUIRED
Needs 500 SQ. Inches for
Breathing in Front and Rear
of Cases - Sides would also
need to have louvers.



Side View



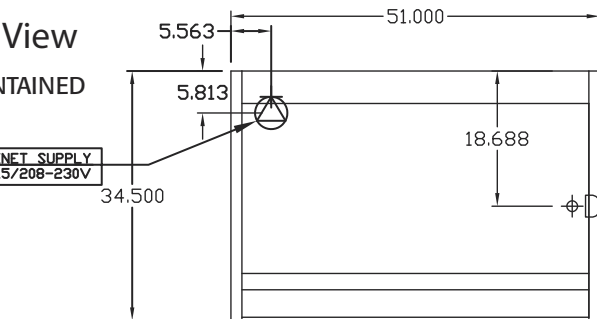
Front View

SELF CONTAINED

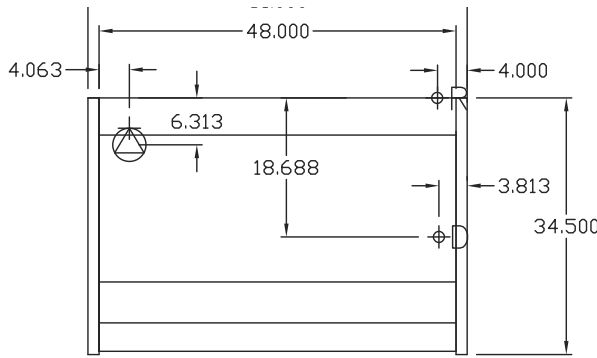
4' Plan View

SELF CONTAINED

CABINET SUPPLY
13AMPS @ 115/208-230V



WARNING:
FREE AIRFLOW REQUIRED
Needs 500 SQ. Inches for
Breathing in Front and Rear
of Cases - Sides would also
need to have louvers.



REMOTE