

THIS DRAWING IS THE PROPERTY OF JADE RANGE LLC NO PART OF THIS DOCUMENT MAY BE COPIED OR USED WITHOUT THE WRITTEN PERMISSION.

THIS DRAWING IS A CONCEPTUAL LAYOUT, SUBJECT TO CHANGES AS THE FINAL MANUFACTURING PARTS ARE CREATED.

ITEM	QTY	MODEL #	DESCRIPTION	BTU/HR	AMP
1	1	JCS-24	CUSTOM TITAN CHINESE DIM SUM STEAMER	80,000	N/A

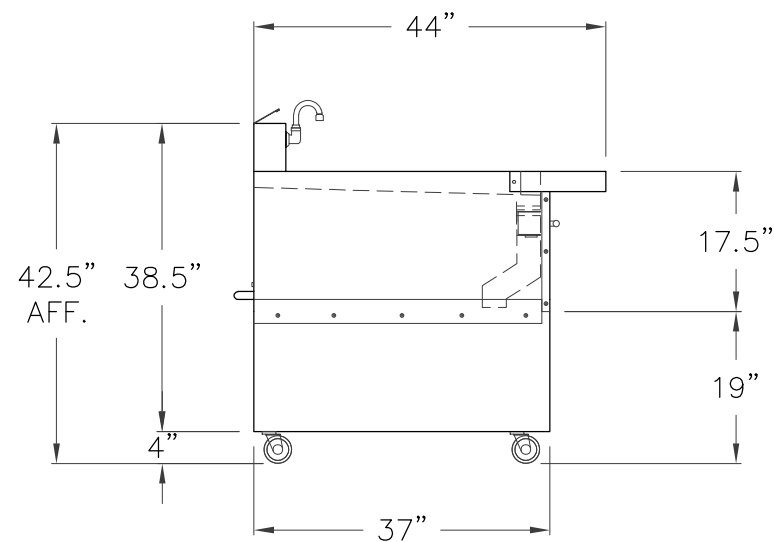
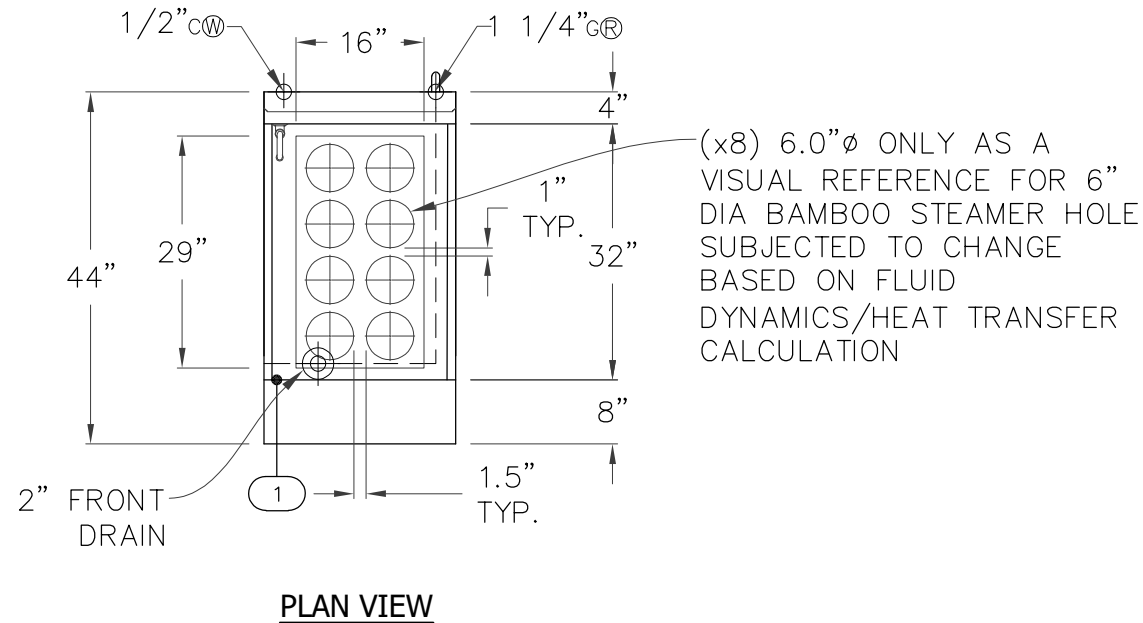
REVISIONS					
REV	DESCRIPTION	ECN	BY	DATE	APPROVED
A	INITIAL DRAWING PER REQUEST	XXX	ECS	10.03.23	
B	REVISED DRAWING PER REQUEST	XXX	ECS	09.05.24	

CHANGES TO DRAWING MAY RESULT IN CHANGES TO DELIVERY DATE & COST

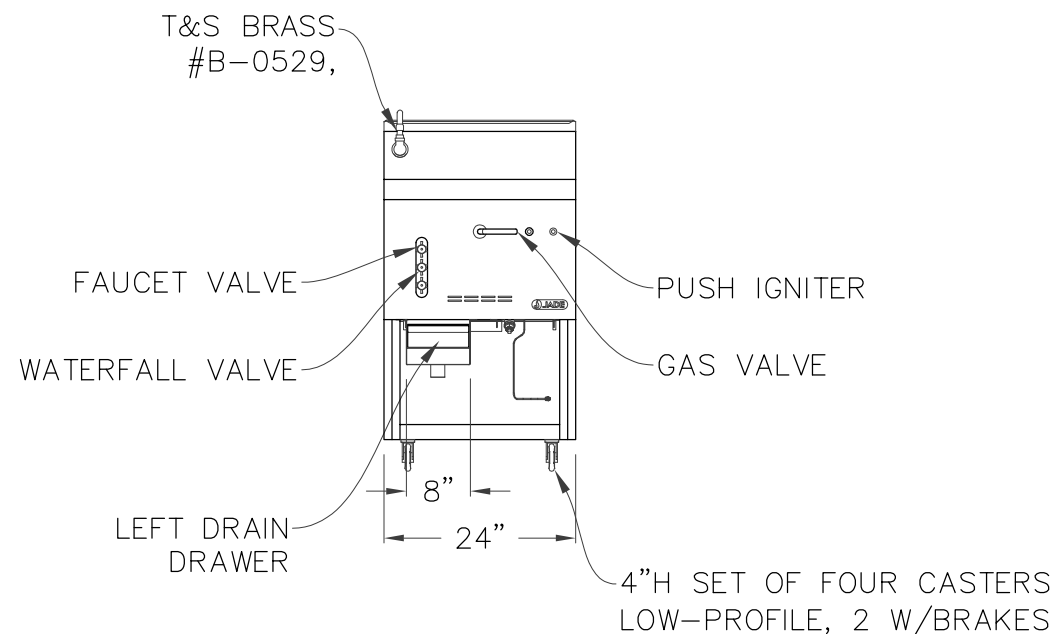
NOTE:  
 • All units ship assembled unless otherwise specified. Jade Range ships salamanders and cheesemelters range mounted and line-ups & suites ship in as large of sections as possible for easier assembly onsite at the time of install.

**ALL GAS REGULATORS LARGER THAN 3/4" ARE TO BE INSTALLED IN A HORIZONTAL FASHION WITH THE TOP ORIENTED UPWARDS AS PER MANUFACTURER SPECIFICATIONS. ALL GAS PRESSURE REGULATORS ARE SHIPPED LOOSE & WILL NEED TO BE INSTALLED BY CERTIFIED PLUMBER - LOCAL CODE PREVAILING**

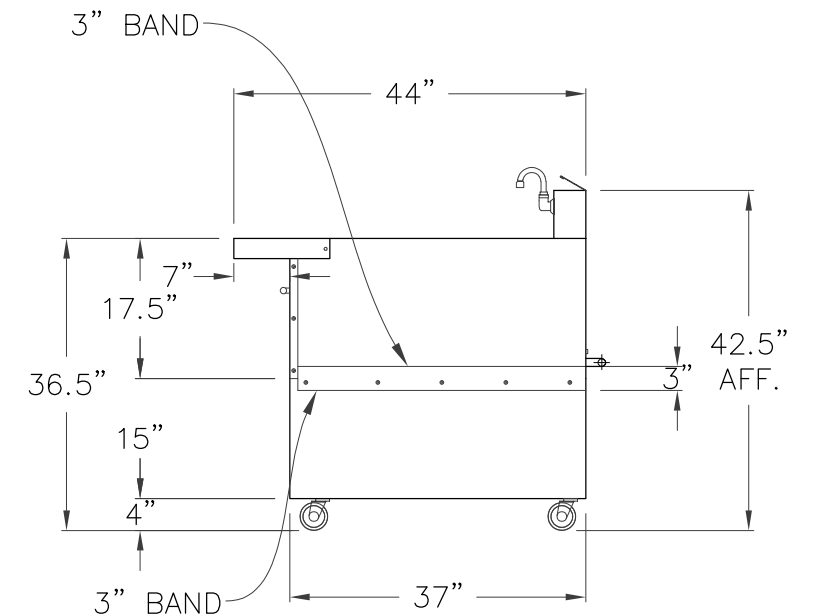
**SHIPPING INSTRUCTIONS**  
 CUSTOMER TO ADVISE ABOUT SHIPPING SECTIONS PRIOR TO SHIPMENT. ANY ITEMS SHIPPED DISASSEMBLED FROM ORIGINAL DESIGN INTENT WILL NEED TO BE REASSEMBLED BY THE KEC AT TIME OF INSTALLATION.



**SIDE VIEW**



**ELEVATION**



**SIDE VIEW**

MIN 6" CLEARENCE ABOVE FLUE PEDESTALS

- 1. ⓂⓂ REGULATOR AND GAS CONNECTION
- Ⓜ ELECTRICAL CONNECTION
- Ⓜ DRAIN
- Ⓜ REFRIGERATION
- Ⓜ WATER
- 2. GAS SHUT-OFF VALVES AND CONNECTIONS SUPPLIED BY OTHERS.
- 3. ALL ELECTRICAL WORK (INSTALLATIONS AND CONNECTIONS) MUST BE PROVIDED BY OTHERS (BY CERTIFIED ELECTRICIAN)

GAS TYPE: \_\_\_\_\_  
 ELEVATION: \_\_\_\_\_  
 TO BE SPECIFIED BEFORE MFG.

PROJECT MANAGER: TERESA ZUNIGA



UNLESS OTHERWISE NOTED DIMENSIONS ARE IN INCHES AND TOLERANCES: .X±.125 .XX±.03 .XXX±.015. ANGLES ±1°

MATERIAL	DRAWN	ECS	10.03.23
FINISH	CHECKED		
	APPROVED		

DESC	JCS Standards (24")		
FOR	SIZE	DWG NO	
	B	23498B	
SCALE	1/2" = 1'-0"		SHEET 1 OF 1