

## IN-SUITE SERVICE CART MODEL 101172A

### FEATURES AND BENEFITS:

- In-Suite service cart for transport of custom concession bulk foods. Transport foods, pans, utensils and trays while keeping the food hot and ready to serve.
- Body constructed of non-corrosive, Hi-Tensile aluminum for strength and ease of mobility.
- Two push handles for easy maneuverability.
- Top three shelves are removable with perforations to allow air circulation.
- Bottom shelf designed to hold four 7-ounce size cans of fuel. Provides heat to 200°F (93°C).
- Formed aluminum doors with magnetic catches
- 1" top lip for secure transport of other items.
- Heavy duty 6" modulus casters, two swivel with brakes; two are rigid.
- Great for stadiums, healthcare facilities & colleges.



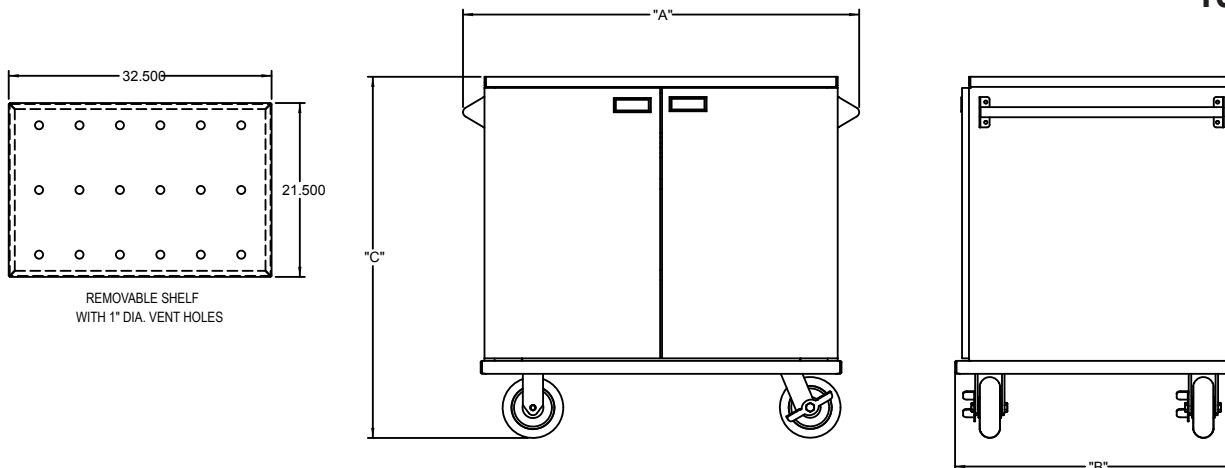
101172A

### ACCESSORIES and OPTIONS

(Available at extra cost):

- Corner Bumpers
- Perimeter Bumper
- Kold Keepers

See page A-20 for accessory details.



CRES COR MODEL NO.	NUMBER OF SHELVES		DIM "A"	DIM "B"	DIM "C"	INSIDE DIMENSIONS				WEIGHT ACT.
			WIDTH	DEPTH	HEIGHT	WIDTH	DEPTH	HEIGHT		
101172A	4	IN	35-1/2	24	36	32-3/4	22	27-3/4	LBS	145
		MM	905	610	915	835	560	705	KG	66

NOTES: When ordering bumpers, add 2" to overall dimensions.

ALL ALUMINUM CONSTRUCTION IS RIVETED, WELDED AND FINISHED.

**CABINET:**

- Body: Formed .100 aluminum, outer and inner body riveted together.
- Three sets of louvers on back.
- 1/2" high density insulation in top.
- 1" lip provided around four sides at the top edge.
- Push handles (2): One each side; 1" O.D. stainless steel tubing.

**DOORS:**

- Formed aluminum with 1" insulation.
- Latches: Magnetic catches with .125 aluminum pull handles.
- Hinges: stainless steel; fastened to sides and doors.

**REMOVABLE SHELVES (3):**

- Formed .125 aluminum; with (18) holes for air flow.  
Shelf size: 21-1/2" x 32-1/2" x 1" thick.
- Mounted on 6-1/2" centers.

**BASE SHELF:**

- One-piece construction .125 aluminum.
- Canned fuel holders (4).
- Casters: 6" dia., modulus tires, 2" wide, load cap. 450 lbs. each, temp. range -40°/+180°F. Two casters are swivel with brakes; two are rigid.

**SHORT FORM SPECIFICATIONS**

Cres Cor In-Suite Service Cart Model 101172A. Inner, outer and top liners of .125 aluminum. Formed aluminum door. Welded and finished .125 aluminum base. (4) shelves and (4) canned fuel holders mounted to base shelf. 6" modulus casters; two are swivel with brake and two are rigid. Push handle each side. Load capacity 450 lbs. each. 2-Year Parts / 1-Year Labor warranty. Provide the following accessories: \_\_\_\_\_.



5925 Heisley Road • Mentor, OH 44060-1833  
 Phone: 877/CRESCOR • Fax: 440/350-7267  
 www.crescor.com

© Crescent Metal Products, Inc. 2022 All rights reserved.

*In line with its policy to continually improve its products, CRES COR reserves the right to change materials and specifications without notice.*

Litho in U.S.A.