

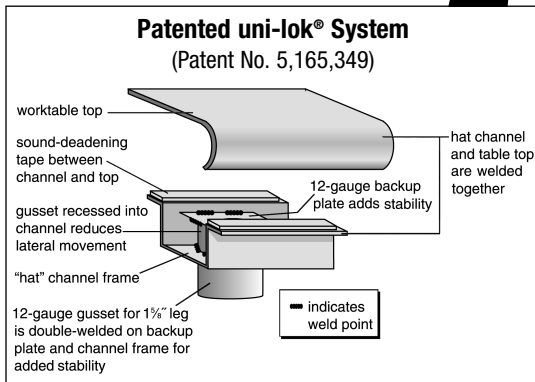
Specification Sheet

Short Form Specifications

BlendPort® worktables, Deluxe series, model _____.
Top constructed of 16 gauge 300 series stainless steel with 1½" roll on front, 1½" rear upturn, and sides turned down 90°. Open front with 1¼" O.D. galvanized tubular crossbracing on sides and rear. Top reinforced with hat channels and sound deadened. Constructed with uni-lok® patented gusset system with the gussets recessed into the hat channels to reduce lateral movement. Legs are 1½" O.D. galvanized tubing with galvanized gussets and 1" hi-impact plastic bullet feet.



*worktable with upturn
and tubular base*



Item No.: _____
Project No.: _____
S.I.S. No.: _____

Worktables with Rear Upturn and Galvanized Tubular Base —Deluxe Series

MODELS:

- | | | |
|--|--|--|
| <input type="checkbox"/> BPT-2424GTEB-UT | <input type="checkbox"/> BPT-2484GTEB-UT | <input type="checkbox"/> BPT-3060GTEB-UT |
| <input type="checkbox"/> BPT-2430GTEB-UT | <input type="checkbox"/> BPT-2496GTEB-UT | <input type="checkbox"/> BPT-3072GTEB-UT |
| <input type="checkbox"/> BPT-2436GTEB-UT | <input type="checkbox"/> BPT-3024GTEB-UT | <input type="checkbox"/> BPT-3084GTEB-UT |
| <input type="checkbox"/> BPT-2448GTEB-UT | <input type="checkbox"/> BPT-3030GTEB-UT | <input type="checkbox"/> BPT-3096GTEB-UT |
| <input type="checkbox"/> BPT-2460GTEB-UT | <input type="checkbox"/> BPT-3036GTEB-UT | |
| <input type="checkbox"/> BPT-2472GTEB-UT | <input type="checkbox"/> BPT-3048GTEB-UT | |

Tabletop

- Top reinforced with welded-on hat channel.
- Sound-deadened between top and channels.
- 1½" (38mm) 90° rear upturn with radius at intersection.
- 1½" (38mm)-diameter 180° rolled edge on front. Ends are turned down 90°, providing for flush installations when required.
- 16 gauge 300 series polished stainless steel.

Crossbracing—1¼" (38mm)-diameter

- Heavy gauge, galvanized.
- Aluminum castings join rear and side crossbraces with legs.

Legs—1½" (41mm)-diameter

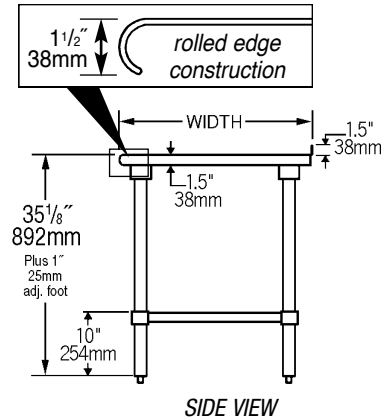
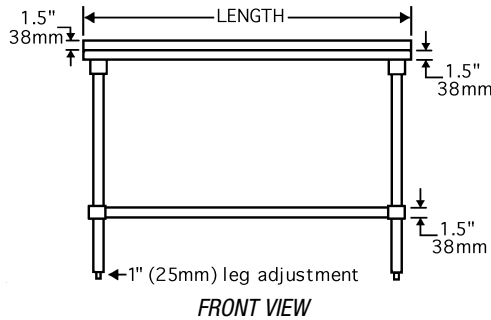
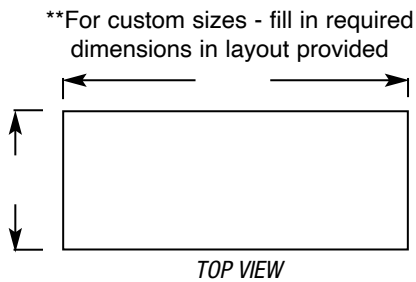
- Units 96" to 120" (2438 to 3048mm) long come with six legs; Units 132" and 144" (3353 and 3658mm) come with eight legs.
- Patented uni-lok® gusset system (patent #5,165,349) is recessed into channel, reducing lateral movement.
- Heavy gauge galvanized steel.
- Galvanized gussets.
- 1" (25mm) adjustable hi-impact plastic feet*.

* Optional casters available. Consult factory.



Item No.: _____
 Project No.: _____
 S.I.S. No.: _____

Worktables with Rear Upturn and Galvanized Tubular Base —Deluxe Series



model #	# of legs	width		length		weight	
		in.	mm	in.	mm	lbs.	kg
BPT-2424GTEB-UT	4	24"	610	24"	610	50	22.7
BPT-2430GTEB-UT	4	24"	610	30"	762	55	25.0
BPT-2436GTEB-UT	4	24"	610	36"	914	58	26.3
BPT-2448GTEB-UT	4	24"	610	48"	1219	67	30.4
BPT-2460GTEB-UT	4	24"	610	60"	1524	83	37.7
BPT-2472GTEB-UT	4	24"	610	72"	1829	90	40.8
BPT-2484GTEB-UT	4	24"	610	84"	2134	136	61.7
BPT-2496GTEB-UT	6	24"	610	96"	2438	162	73.5
BPT-3024GTEB-UT	4	30"	762	24"	610	59	26.8
BPT-3030GTEB-UT	4	30"	762	30"	762	61	27.7
BPT-3036GTEB-UT	4	30"	762	36"	914	64	29.0
BPT-3048GTEB-UT	4	30"	762	48"	1219	80	36.3
BPT-3060GTEB-UT	4	30"	762	60"	1524	87	39.5
BPT-3072GTEB-UT	4	30"	762	72"	1829	110	49.9
BPT-3084GTEB-UT	4	30"	762	84"	2134	139	63.1
BPT-3096GTEB-UT	6	30"	762	96"	2438	174	78.9

BlendPort®

An Eagle Group Company
 100 Industrial Boulevard, Clayton, DE 19938-8903 USA
 Phone: 800-441-8440 • Fax: 302-653-2065

Printed in U.S.A.
 ©2023 by Eagle Group
 Rev. 03/23

Although every attempt has been made to ensure the accuracy of the information provided, we cannot be held responsible for typographical or printing errors. Information and specifications are subject to change without notice. Please confirm at time of order.