

10" x 15" Single Panini Grill Single Rib/Smooth

ITEM: 48603
MODEL: PG-IT-0381



Easy to use and versatile

Ideal for quesadillas, panini, foccacia, and pita sandwiches. These model have stainless steel bodies with cast iron grilling surfaces for easy cleaning. If versatility is what you are looking for, look no further as these panini grills offer the best of both worlds. The grooved surface creates appealing grill marks.

FEATURES:

- Collecting tray
- Thermostat control
- Functioning pilot lamp
- Non-slip rubber feet

1-833-487-3686

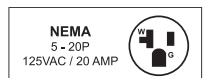
www.trentoequipment.com

sales@trentoequipment.com

Follow us on social media
[@trentoequipment](#)



Authorized Dealer





Main Component

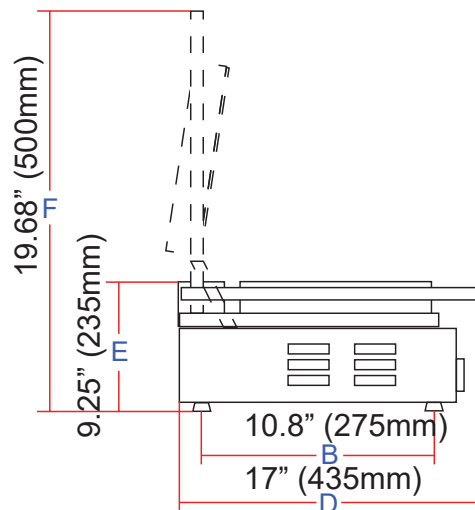
- 1 Collecting Tray
- 2 Thermostat Control
- 3 Functioning Pilot Lamp
- 4 Bottom: Smooth Grill
- 5 Top : Ribbed Grill



Technical Specification

Item	48603
Model	PG-IT-0381
Grill Surface	10" x 15" (254 x 381 mm)
Thermostat Control	120 - 570 °F (50 - 300 °C)
Power	1700 W
Amps	20 A
Electrical	120V / 60Hz / 1Ph
Top Grill	Ribbed
Bottom Grill	Smooth
Net Weight	48 lb. (21.7 kg.)
Net Dimensions (WDH)	Open: 15 x 17" x 19.68" (381 x 431.8 x 500 mm) Closed Height: 9.5" (235 mm)
Gross Weight	51 lb. (23.1 kg.)
Plug Type	NEMA 5 - 20P

Technical Drawings and Dimensions



ITEM: 48603

- A = 340mm
- B = 275mm
- C = 380mm
- D = 435mm
- E = 235mm
- F = 500mm

