



# ICE QUEEN IQ N 1200 220 V / 60 Hz

## MODULAR FLAKE ICE MACHINE

**3 YEARS WARRANTY**  
**PARTS & LABOR**

### FEATURES

- ▶ PRODUCES NUGGET ICE
  - ▶ HIGH EVAPORATOR EFFICIENCY: LOWER ENERGY CONSUMPTION AND HIGHER ICE PRODUCTION
  - ▶ FRONT LED DISPLAY FOR QUICK DIAGNOSTICS
  - ▶ I-CHECK SMART SYSTEM CONTROLS AND DETECTS PARAMETERS AND FAULTS
  - ▶ ELECTRONIC CONTROL. ON/OFF LIGHTED SWITCH IN FRONT PANEL
  - ▶ STAINLESS STEEL AUGER TO MAXIMIZE LIFESPAN
  - ▶ POWERFUL GEAR MOTOR
  - ▶ AISI 304 STAINLESS STEEL BODY
  - ▶ OPTICAL PINPOINT CONTROL SYSTEM TO SET ICE STOCK LEVEL
  - ▶ EASY ACCESS FOR SERVICE AND INSTALLATION
- !** THE INSTALLATION OF AN ANTI-SCALE FILTER AND PERIODIC CLEANING ARE RECOMMENDED IN AREAS WITH MEDIUM OR HIGH LIMESCALE CONTENT (HARD WATER)



|             | 24 H | 70°F/21°C    50°F/10°C | 90°F/32°C    70°F/21°C | in (mm)             | in (mm)             |
|-------------|------|------------------------|------------------------|---------------------|---------------------|
|             |      | lbs (Kg)               | lbs (Kg)               | Width               | Depth               |
| IQ N 1200 A |      | 1197 (543)             | 895 (406)              | 22.01" (559)        | 25.04" (636)        |
| IQ N 1200 W |      | -                      | -                      | 24.49" (622)        | 27.37" (695)        |
|             |      |                        |                        | Height 28.04" (712) | Height 32.88" (835) |



**NUGGET ICE**  
90% DRY (+/-2%)

### ACCESSORIES

NOT INCLUDED (OPTIONAL)



10" FILTER  
ANTI-LIMESCALE + ANTI-CHLORINE  
CS-101 K



10" REPLACEMENT CARTRIDGE  
ANTI-LIMESCALE + ANTI-CHLORINE  
CS10



SCALE KLEEN

### RECOMMENDED BINS



S400-22 + IQ N 1200

S500 + IQ N 1200

S750 + IQ N 1200

S900 + IQ N 1200

S1050 + IQ N 1200

SCS350 + IQ N 1200

SCS700 + IQ N 1200

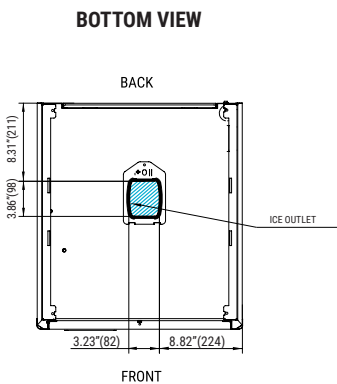
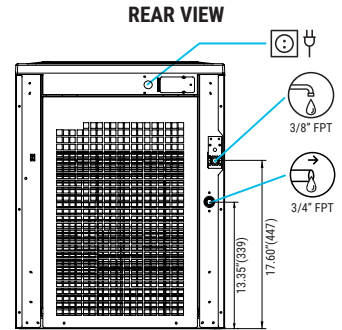
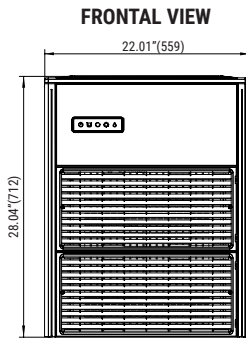
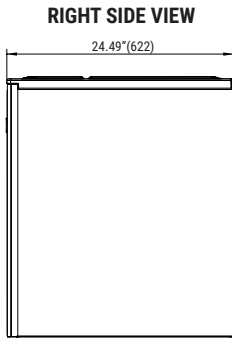
SCD900 + IQ N 1200

SCD1400 + IQ N 1200

SCD1800 + IQ N 1200

# TECHNICAL SCHEME

## ICE QUEEN N 1200



\* All dimensions in inches (and mm)

### OPERATING CONDITIONS

#### PRODUCTION (LBS) 60Hz

| Icon                              | Value | IQ N 1200 AIR COOLED |            |            |            |            | IQ N 1200 WATER COOLED |            |            |  |  |
|-----------------------------------|-------|----------------------|------------|------------|------------|------------|------------------------|------------|------------|--|--|
|                                   |       | 50°<br>10°           | 60°<br>15° | 70°<br>21° | 86°<br>30° | 50°<br>10° | 60°<br>15°             | 70°<br>21° | 86°<br>30° |  |  |
| ±10% V                            |       |                      |            |            |            |            |                        |            |            |  |  |
| 50°F/109°F                        |       | 1232                 | 1179       | 1113       | 1058       | -          | -                      | -          | -          |  |  |
| 41°F/100°F                        |       | 1197                 | 1131       | 1014       | 948        | -          | -                      | -          | -          |  |  |
| 14.5 psi (1 bar) / 87 psi (6 bar) |       | 1080                 | 981        | 895        | 822        | -          | -                      | -          | -          |  |  |
|                                   |       | 904                  | 794        | 677        | 613        | -          | -                      | -          | -          |  |  |

| MODELS      | Temp. Ev. (°F) | ASHRAE CONDITIONS (BTu/h) | (W)   | (W) 109°F | (AWG/mm²) (n.) | FUSE | 100lbs 90°F / 70°F (Kwh/100 lbs) | gal 100lbs (l/h) | HEAT REJECTED (BTu/h) | (W)  | (lbs)  | (lbs) |     |     |
|-------------|----------------|---------------------------|-------|-----------|----------------|------|----------------------------------|------------------|-----------------------|------|--------|-------|-----|-----|
| IQ N 1200 A | 5°             | 10,315                    | 3,023 | 1,830     | 16/1.5         | 3    | 20                               | 4.81             | 11.9                  | 16.9 | 13,502 | 3,997 | 185 | 205 |
| IQ N 1200 W | -              | -                         | -     | -         | -              | -    | -                                | -                | -                     | -    | -      | -     | -   | -   |



ITV Ice Makers, Inc.  
9550 Satellite Blvd, Suite 100  
Orlando, FL 32837  
Phone: 1 407 826 1860 | Fax: 1 407 826 1861  
Toll Free: 1 888 488 1423  
sales@itvice.com | www.itvice.com



SERVICE  
service@itvice.com  
Skype: service@itvice.com  
PHONE: +1 888 488 1423  
FROM 8AM TO 5PM EST



2 ADDITIONAL YEARS ON COMPRESSOR & EVAPORATOR  
Read our warranty policy to know more about limitations and exclusions

